

EMINI



EMINI HYDRAULIC PUMPS



**PORTABLE
TORQUE POWER**

EMINI

ELECTRIC HYDRAULIC TORQUE WRENCH PUMP



TWO-STAGE PERFORMANCE

GET RELIABLE PORTABLE PERFORMANCE FROM A HEAVY DUTY HYDRAULIC TORQUE WRENCH PUMP. SET THE PRESSURE AND ACHIEVE THE TORQUE ALMOST ANYWHERE.

TECHNICAL DATA

EMINI -115V/230V

Reservoir Capacity (gal/litre)	1.4 / 5.3	
Valve Style	Auto Retract	
Motor Specification	0.8 hp / 0.6 kW	
Weight (lbs/kg)	39 / 17.7	

MAX OIL FLOW

EMINI-115V/230V

Stage 1 (1000psi / 70bar)	310 cu.in / min	5.1 l / min
Stage 2 (10,000psi / 700bar)	31 cu.in / min	0.5 l / min



DIMENSIONS

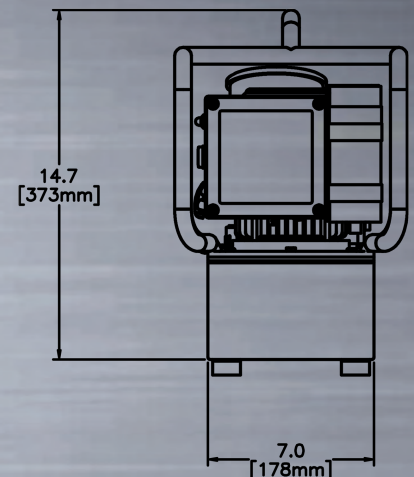
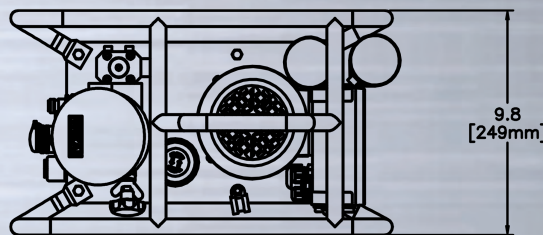
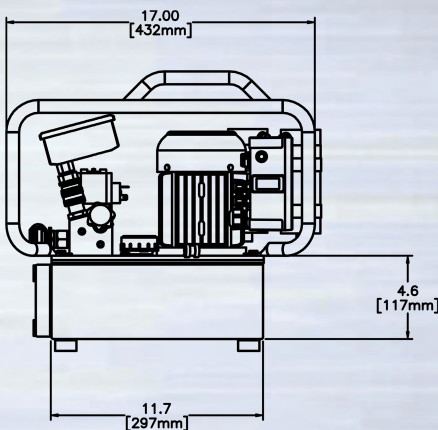
EMINI-115V/230V

Length (in/mm)	17 / 432	
Width (in/mm)	9.8 / 249	
Height (in/mm)	14.7 / 373	

RESERVOIR DIMENSIONS

EMINI-115V/230V

Length (in/mm)	11.7 / 297	
Width (in/mm)	7.0 / 178	
Height (in/mm)	4.6 / 117	



TWIN LINE
HYDRAULIC HOSE

MULTI- PORT
MANIFOLD



* HYDRAULIC HOSE AND MULTI- PORT MANIFOLD SOLD SEPARATELY
TorcUP Inc. 1025 Conroy Place Easton, PA. 18040 USA 1-888-TorcUP-1 +1 610-250-5800