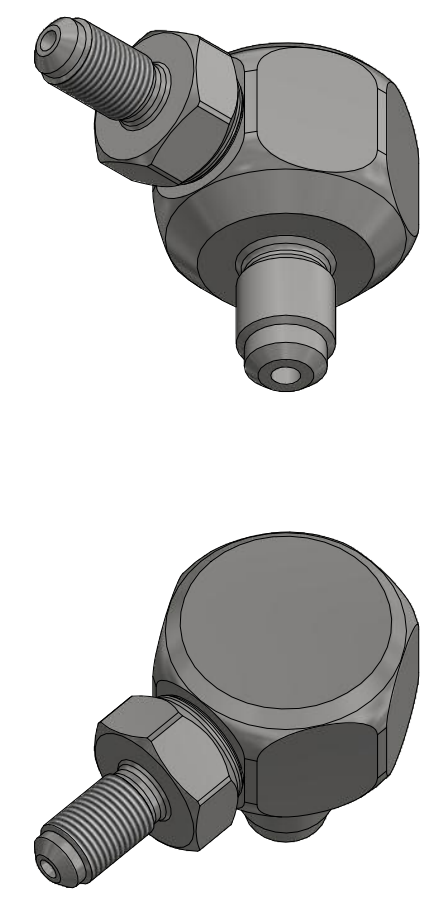
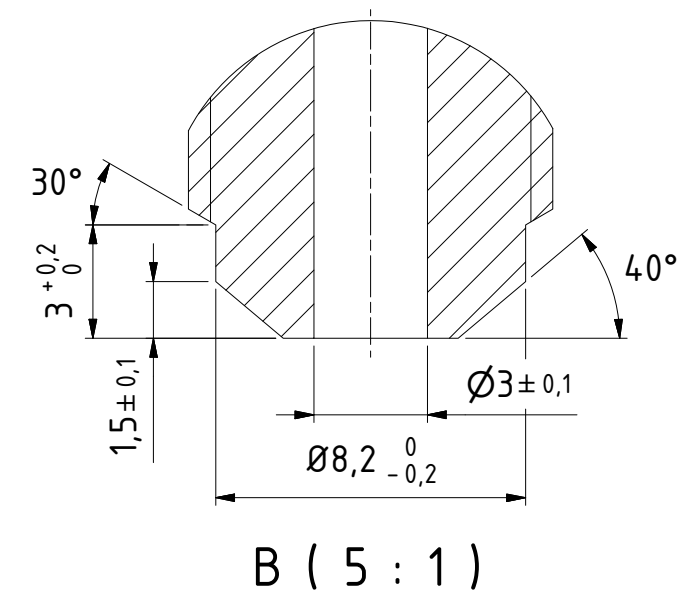
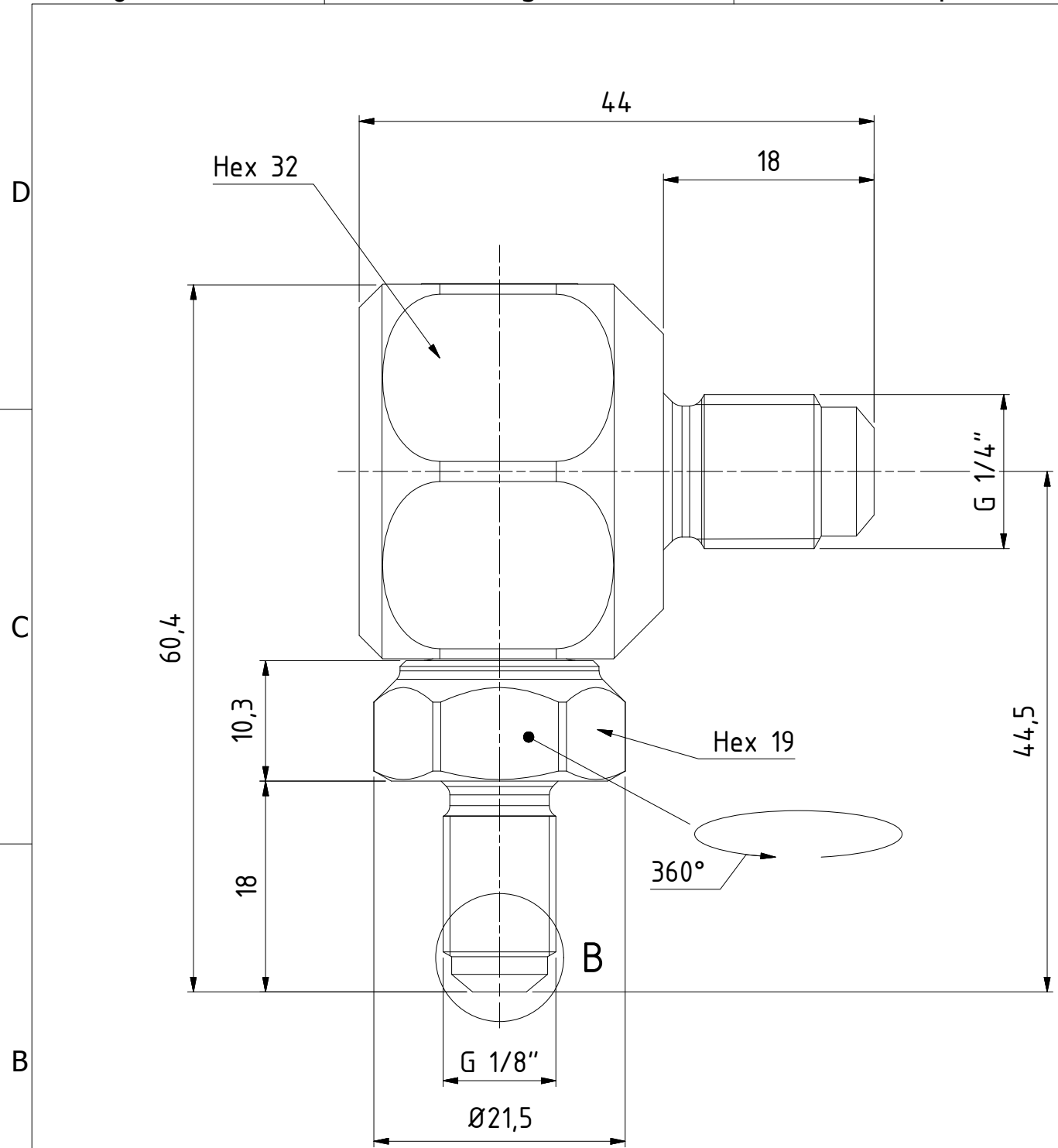



This document must not be copied, either completely or in part, without permission. Any infringement will have legal consequences ©



1 : 1

Product No.	199501655
Nominal flow $\varnothing$ DN:	2.5 mm
Connection Stroke:	- mm
Max WP Connected:	1500 bar
Max WP Disconnected:	- bar
Min BP Connected:	3000 bar
Min BP Disconnected:	- bar
Temperature range:	-30°C - +100°C
Connection:	G 1/8" x G 1/4"
Sealing material:	NBR
Hexagon:	19 + 32

Item	Qty	Description	Material
9	1	Swivel connection	Steel, Zn 8 Silver
8	2	Back-up ring	PTFE
7	1	Nut	Steel, Zn 8 silver
6	1	Distance sleeve	Steel
4	2	Lip seal	NBR
3	2	Back-up ring	POM
2	1	Locking screw	Steel, Zn 8 Silver
1	1	Swivel housing	Steel, Zn 8 Silver

	Scale	1 : 1	Drawn	CABAO	Checked	FR	Appr.	JE	ECO	12220	Date	180927		
	<b>Assembly Drawing 509501655</b>								Drawing No.			Issue	AA	Sheet

A3