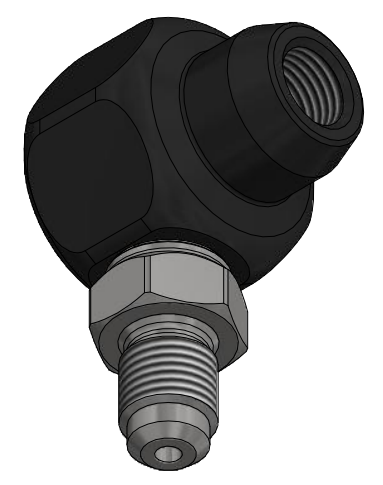
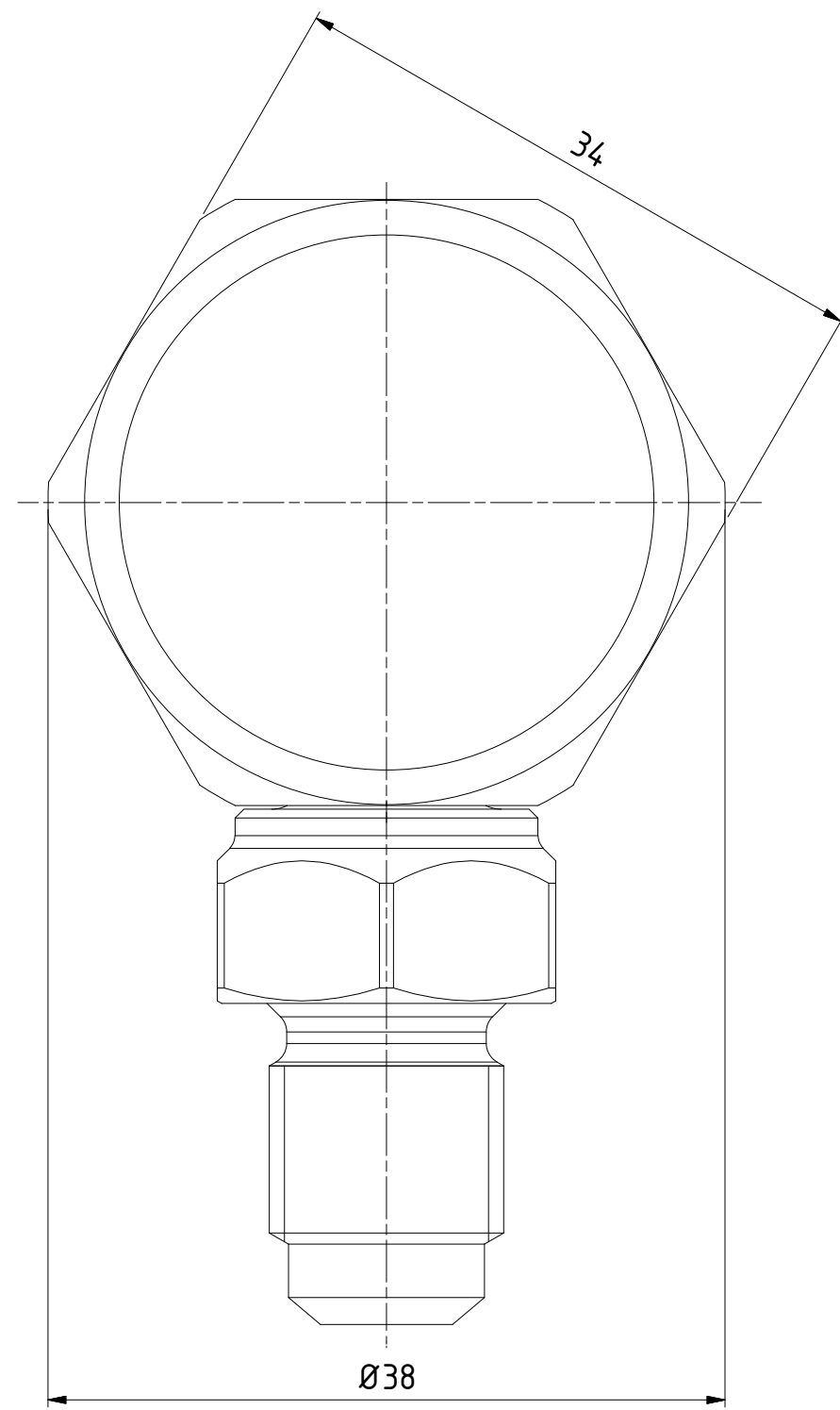
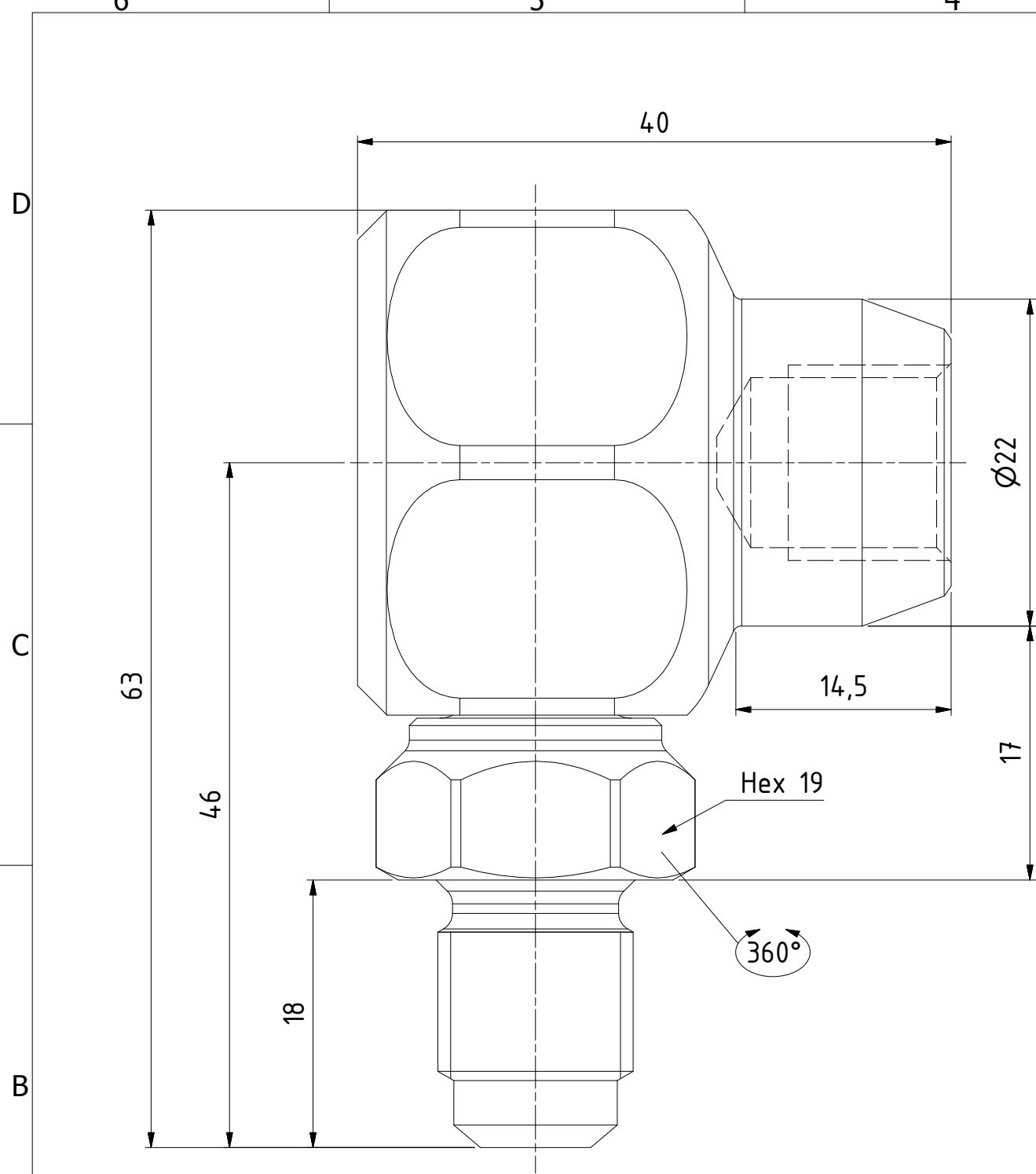


This document must not be copied, either completely or in part, without permission. Any infringement will have legal consequences ©



1 : 1

Product No.	199501652
Nominal flow $\varnothing$ DN:	2,5 mm
Connection Stroke:	- mm
Max WP Connected:	2500 bar
Max WP Disconnected:	2500 bar
Min BP Connected:	5000 bar
Min BP Disconnected:	5000 bar
Temperature range:	-30°C - +100°C
Connection:	G 1/4" male CMS x G 1/4" Fem CMS
Sealing material:	NBR
Hexagon:	

Item	Qty	Description	Material
8	1	Swivel connection	Steel, Zn-Ni 9 transp.
7	2	Lip seal	NBR
6	1	Locking screw	Steel, Zn 8 silver
5	1	Nut	Steel, Zn-Ni 9 transp.
4	2	Back-up ring	POM
3	2	Back-up ring	PTFE
2	1	Distance sleeve	Steel
1	1	Swivel housing	Steel, Zn 8 black

	Scale	5:2	Drawn	cabao	Checked	FR	Appr.	JE	ECO	12385	Date	2019-02-15
	<b>Assembly Drawing 509501652</b>								Drawing No.	AA	Issue	1 / (1)

A3