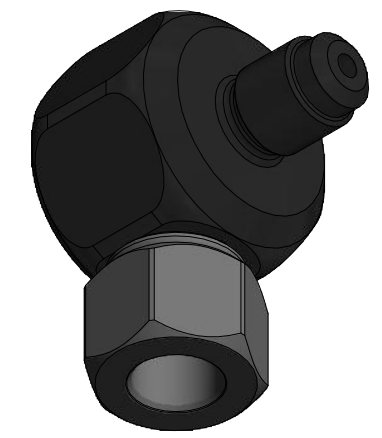
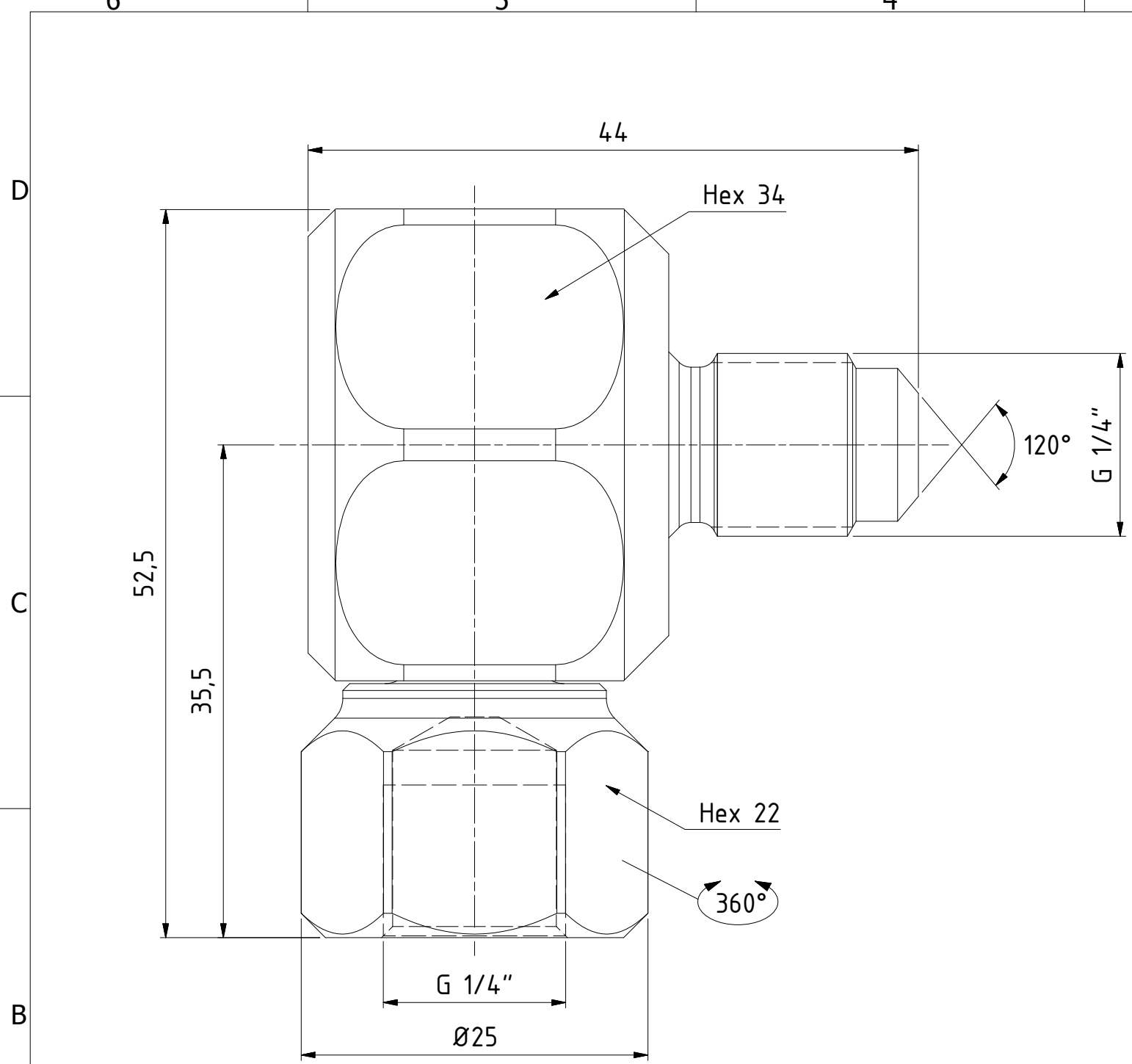



This document must not be copied, either completely or in part, without permission. Any infringement will have legal consequences ©



1 : 1

Product No. 199501651	
Nominal flow \varnothing DN:	2.5 mm
Connection Stroke:	20.2 mm
Max WP Connected:	2500 bar
Max WP Disconnected:	2500 bar
Min BP Connected:	5000 bar
Min BP Disconnected:	5000 bar
Max. number of pressure cycles:	10 000
Temperature range:	-30°C - +100°C
Connection:	G 1/4" Fem
Sealing material:	NBR
Hexagon:	34

Item	Qty	Description	Material
8	2	Lip seal	NBR
7	1	Distance sleeve	Steel
6	2	Back-up ring	PTFE
5	2	Back-up ring	POM
4	1	Nut	Steel, Zn-Ni 9 transp.
3	1	Swivel connection	Steel, Zn-Ni 9 transp.
2	1	Locking screw	Steel, Zn 8 silver
1	1	Swivel housing	Steel, Zn-Fe 8 black

	Scale	5:2	Drawn	EP7	Checked	AO	Appr.	JE	ECO	11261	Date	2016-06-02
	Assembly Drawing 509501651								Drawing No.	AA	Issue	1 / (1)

A3