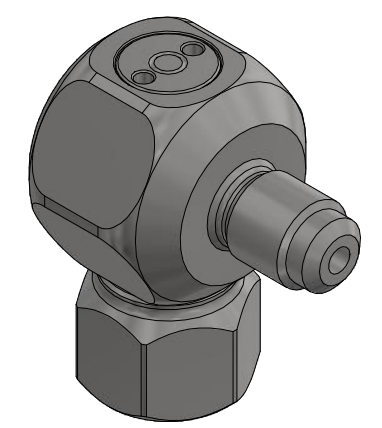
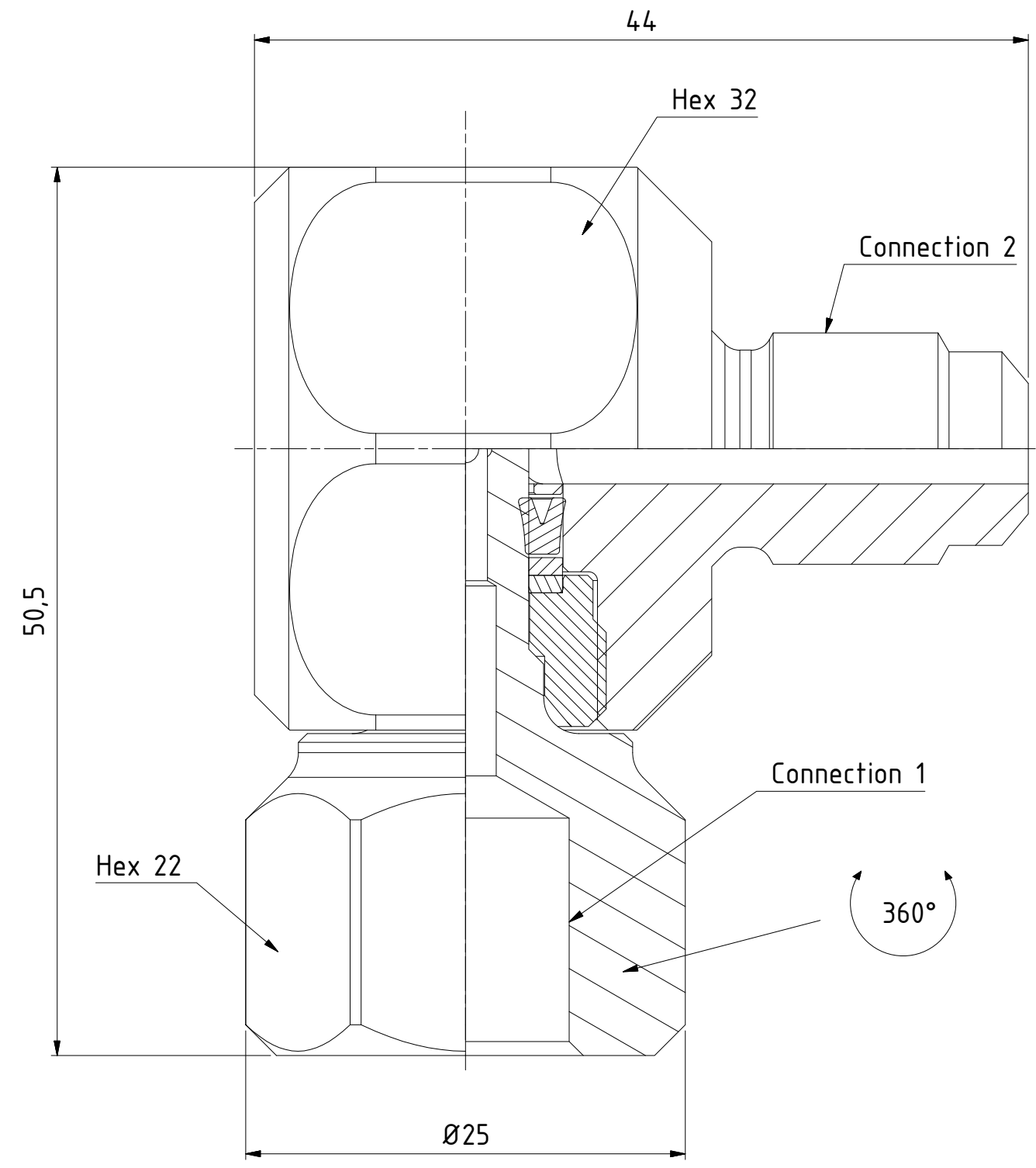


This document must not be copied, either completely or in part, without permission. Any infringement will have legal consequences ©



1 : 1

Product No. 199501650	
Nominal flow Ø DN:	2,5 mm
Max WP Connected:	1500 bar
Min BP Connected:	3000 bar
Temperature range:	-30°C - +100°C
Connection 1:	G 1/4" fem CMS 120° cone
Connection 2:	G 1/4" male CMS 120° cone
Sealing material:	NBR
Hexagon:	See drawing
Recommended torque:	Nm

Item	Qty	Description	Material
8	2	Back-up ring	PTFE
7	1	Nut	Steel, Zn 8 silver
6	1	Distance sleeve	Steel
5	1	Swivel connection	Steel, Zn 8 Silver
4	2	Lip seal	NBR
3	2	Back-up ring	POM
2	1	Locking screw	Steel, Zn 8 Silver
1	1	Swivel housing	Steel, Zn 8 Silver

	Scale	3 : 1	Drawn	CABANLA	Checked	EP	Appr.	JE	ECO	Date	2018-10-16
	Assembly Drawing 509501650								Issue	AD	Sheet

