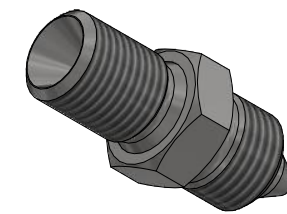
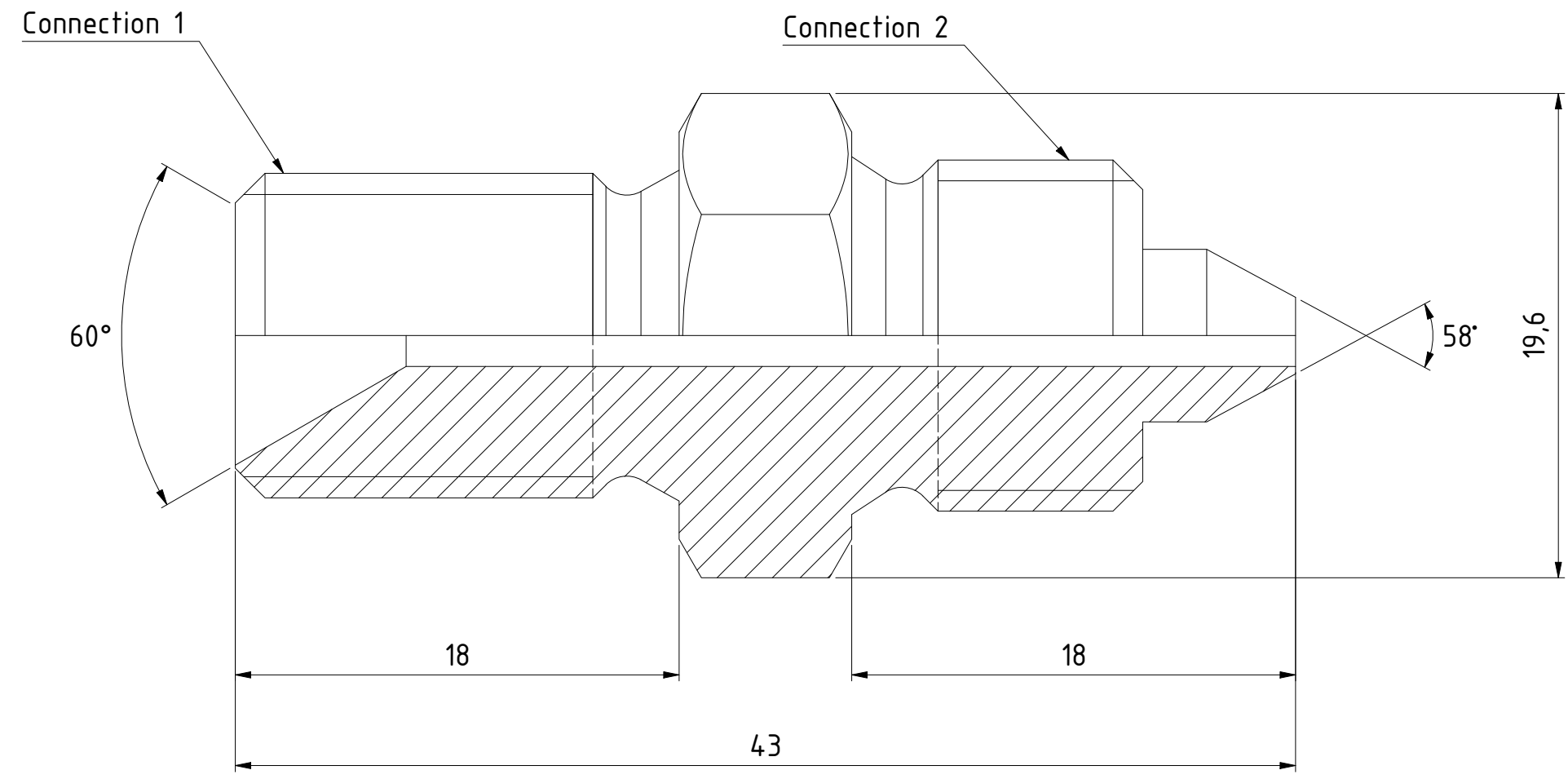


This document must not be copied, either completely or in part, without permission. Any infringement will have legal consequences ©



1 : 1



Product No.	199501616
Nominal flow $\varnothing$ DN:	2,5 mm
Max WP Connected:	3000 bar
Min BP Connected:	5000 bar
Temperature range:	$^{\circ}\text{C} - ^{\circ}\text{C}$
Connection 1:	G 1/4" male
Connection 2:	9/16" - 18 UNF male
Hexagon:	17 mm
Recommended torque:	40-50Nm

1	1	Adapter	Steel, Zn-Ni 10 black			
Item	Qty	Description	Material			
		Scale: 4 : 1	Drawn: CABANLA	Checked: EP	Appr.: JE	ECO
		Drawing No. 509501616			Date: 2020-06-10	
Assembly Drawing				Issue: AB	Sheet: 1 / (1)	

