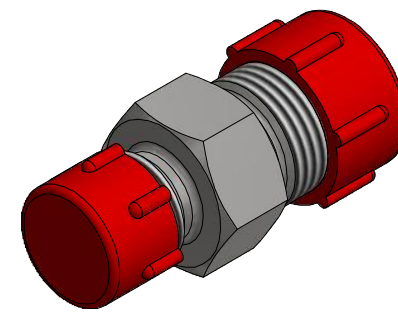
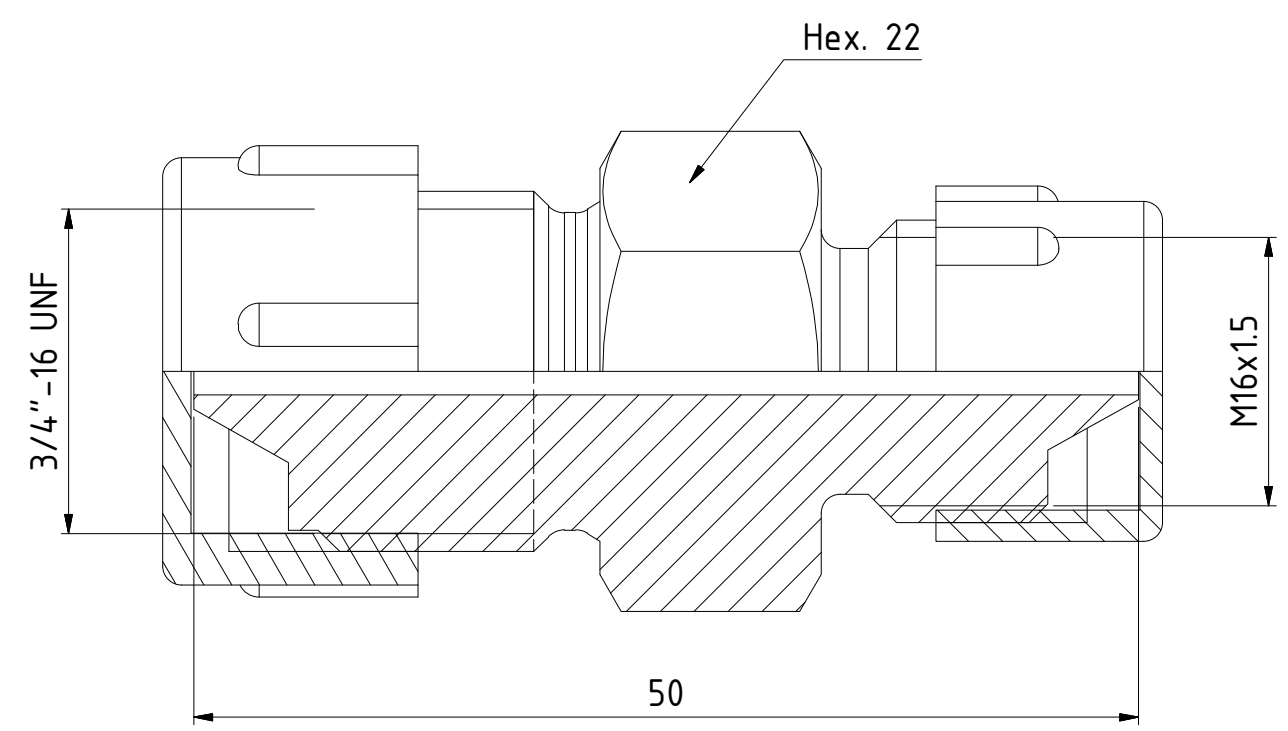


This document must not be copied, either completely or in part, without permission. Any infringement will have legal consequences ©



1 : 1



Product No.	199501615
Nominal flow $\varnothing$ DN:	2.5 mm
Max WP Connected:	3000 bar
Min BP Connected:	6000 bar
Temperature range:	$^{\circ}\text{C} - ^{\circ}\text{C}$
Connection 1:	
Connection 2:	
Connection 3:	
Connection 4:	
Hexagon:	22



Scale	5 : 2	Drawn	EMPE01	Checked	EP7	Appr.	ECO	11683	Date	2017-03-15
Drawing No.								Issue		Sheet
Assembly Drawing								509501615		AA 1 / (1)

A3