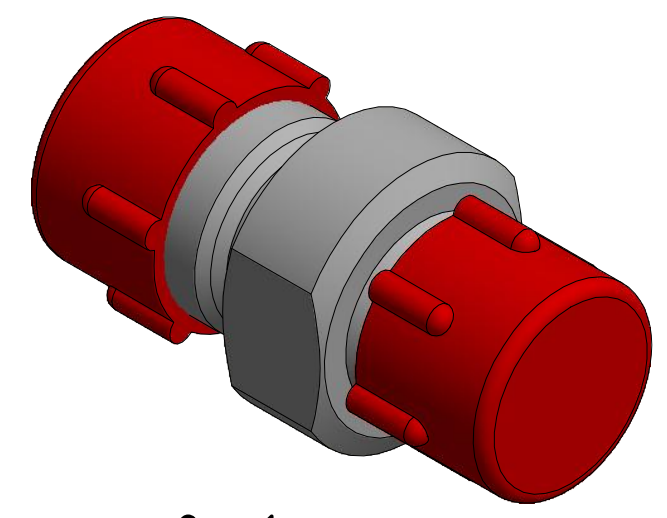
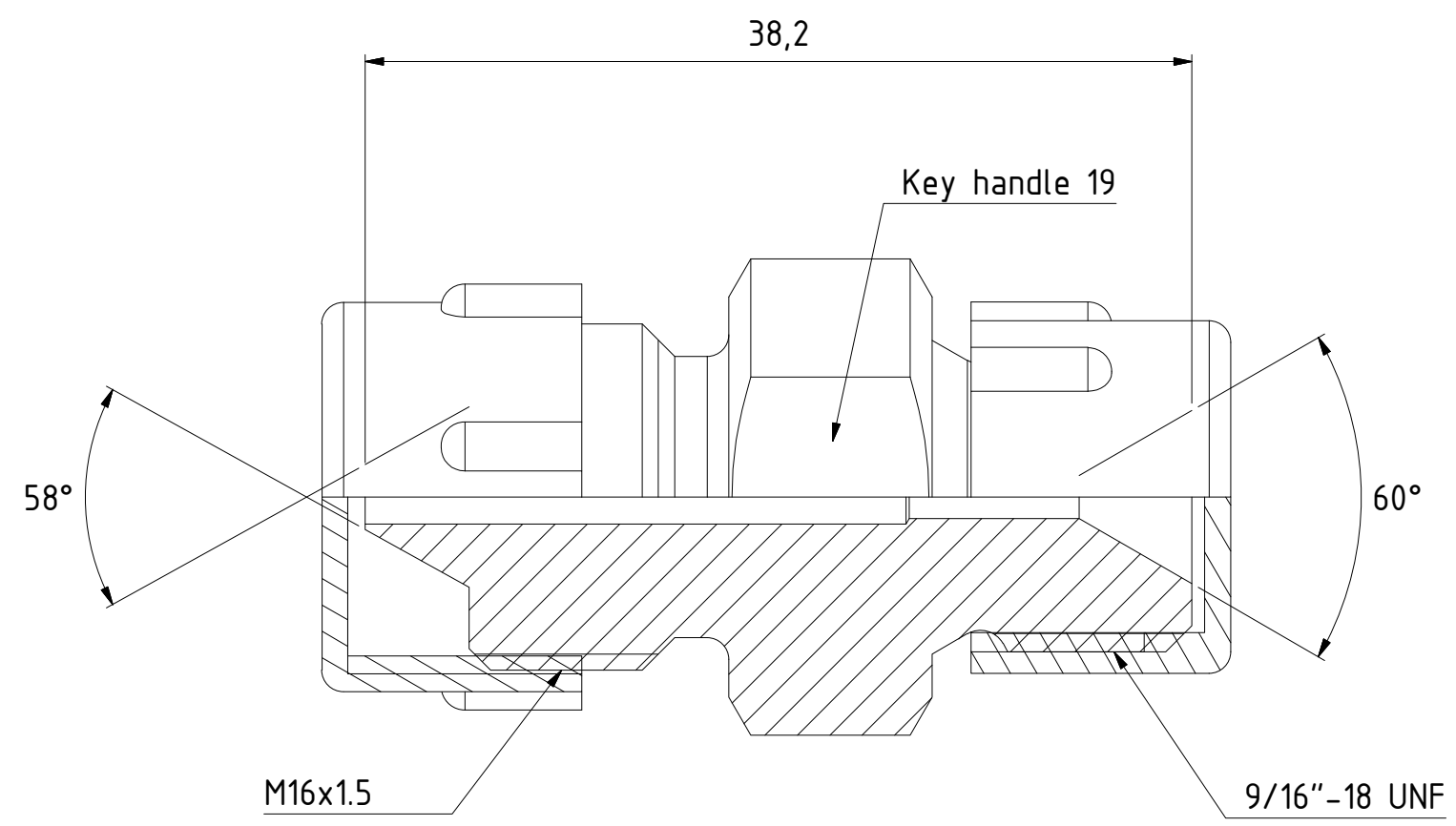
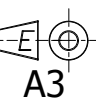


This document must not be copied, either completely or in part, without permission. Any infringement will have legal consequences ©



2 : 1

Product No.	199501614
Nominal flow \varnothing DN:	2 mm
Max WP Connected:	4000 bar
Min BP Connected:	6000 bar
Temperature range:	-°C - -°C
Connection 1:	M16x1.5 male
Connection 2:	9/16" - 18 UNF Male
Connection 3:	-
Connection 4:	-
Hexagon:	-
Recommended torque:	1:40-50 Nm, 2:40-50 Nm

Item	Qty	Description	Material
4	1	Thread protection	Plastic
3	1	Thread protection	Plastic
1	1	Male/male thread adaptor	Steel

	Scale	3 : 1	Drawn	EP7	Checked	AO	Appr.	JE	ECO	11838	Date	2017-10-15
	Assembly Drawing 509501614								Drawing No.	Issue	Sheet	AC 1 / (1)