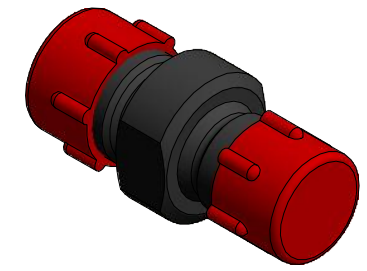
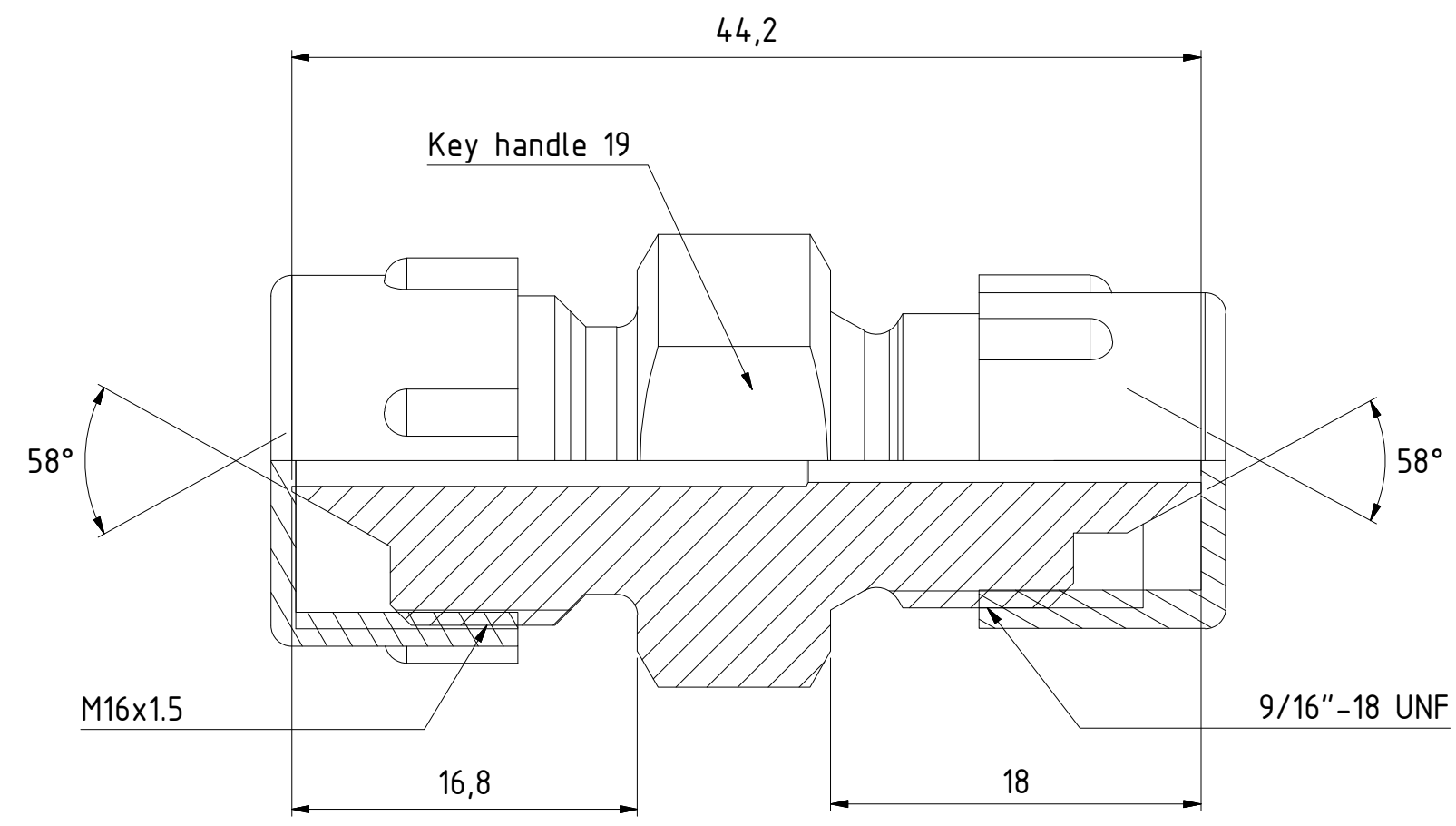


This document must not be copied, either completely or in part, without permission. Any infringement will have legal consequences ©



1 : 1



Product No.	199501613
Nominal flow Ø DN:	2.1 mm
Max WP Connected:	4000 bar
Min BP Connected:	6000 bar
Temperature range:	-°C - -°C
Connection 1:	M16x1.5 male
Connection 2:	9/16"-18 UNF male
Connection 3:	-
Connection 4:	-
Hexagon:	-
Recommended torque:	1:40-50 Nm, 2:40-50 Nm

Item	Qty	Description	Material
3	1	Thread protection	Plastic
2	1	Thread protection	Plastic
1	1	Male/male thread adaptor	Steel. FeZn5 c black

Scale	3 : 1	Drawn	EP7	Checked	AO	Appr.	JE	ECO	11838	Date	17-10-16		
Drawing No.								509501613		Issue	AC	Sheet	1 / (1)



Assembly Drawing 509501613

