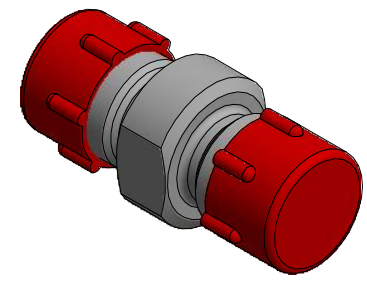
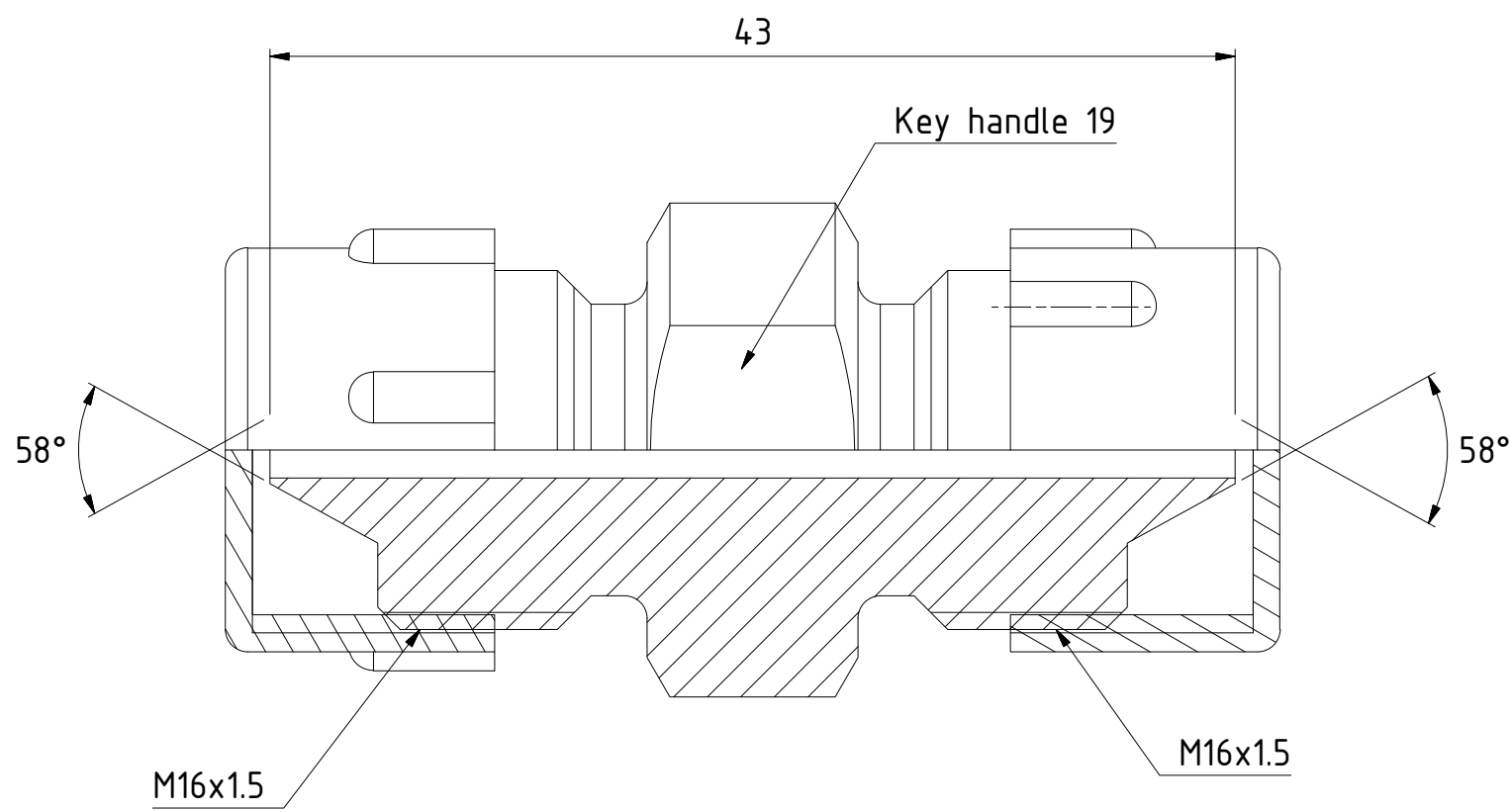


This document must not be copied, either completely or in part, without permission. Any infringement will have legal consequences ©



1 : 1



Product No.	199501612
Nominal flow $\varnothing$ DN:	2.5 mm
Max WP Connected:	4000 bar
Min BP Connected:	6000 bar
Temperature range:	$^{\circ}\text{C} - ^{\circ}\text{C}$
Connection 1:	M16x1.5 Male
Connection 2:	M16x1.5 Male
Connection 3:	
Connection 4:	
Hexagon:	
Recommended torque:	40-50 Nm

Item	Qty	Description	Material
2	2	Thread protection	Plastic
1	1	Adaptor	Steel, plated

Scale	3 : 1	Drawn	EP7	Checked	AO	Appr.	JE	ECO	11838	Date	2017-10-15	
Drawing No.										Issue	Sheet	
Assembly Drawing										509501612	AC	1 / (1)



A3