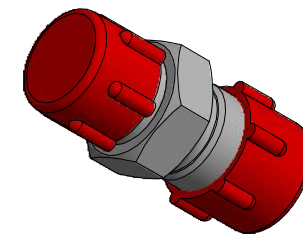
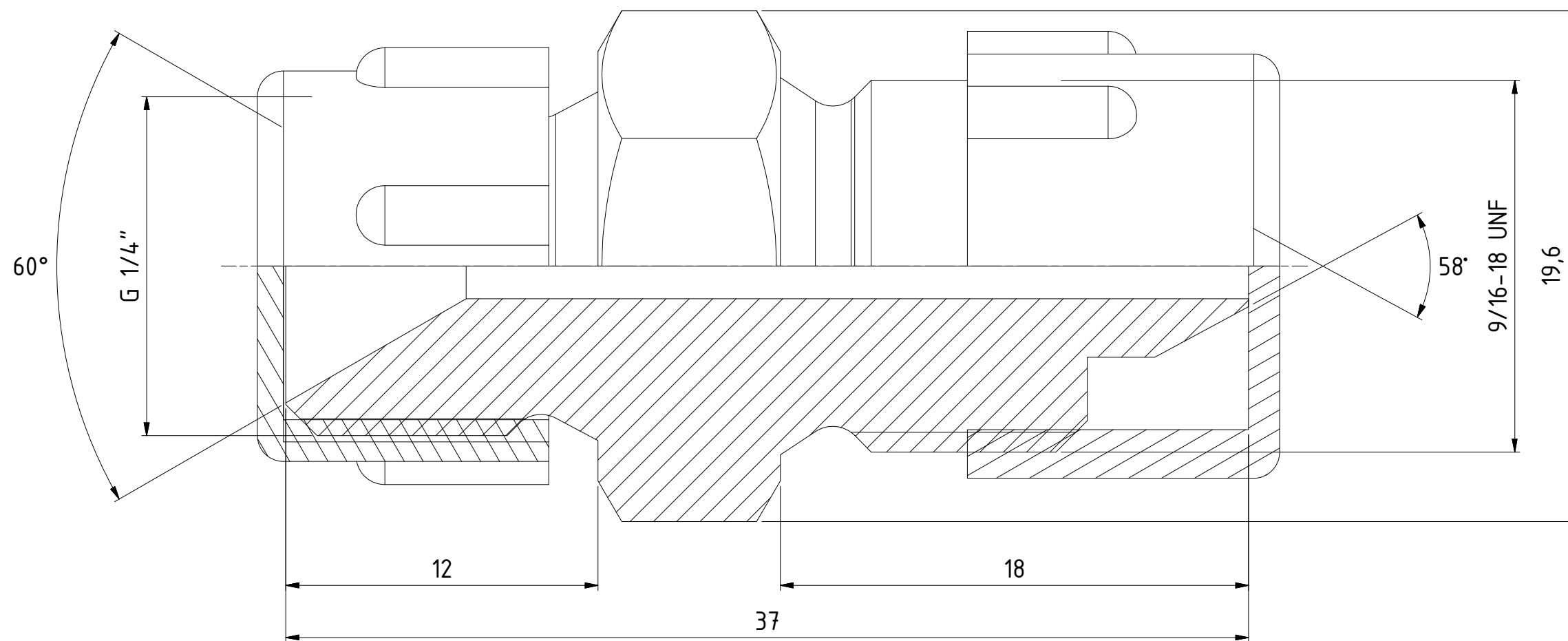


This document must not be copied, either completely or in part, without permission. Any infringement will have legal consequences ©



1 : 1



Product No. 199501605

Nominal flow \varnothing DN: 2.5 mm
 Max WP Connected: 3000 bar
 Min BP Connected: 5000 bar
 Temperature range: -°C - -°C
 Connection 1: See drawing
 Connection 2: See drawing
 Connection 3:
 Connection 4:
 Hexagon: 17
 Recommended torque: 40-50 Nm



Item	Qty	Description	Material
3	1	Thread protection	Plastic
2	1	Thread protection	Plastic
1	1	Adaptor	Steel, Zn-Ni 10 black

	Scale	Drawn	Checked	Appr.	ECO	Date	
	5 : 1	CABANLA	EP07	JW	11923	2018-01-11	
Assembly Drawing 509501605						Issue AC	Sheet 1 / (1)

