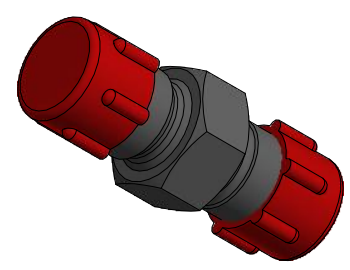
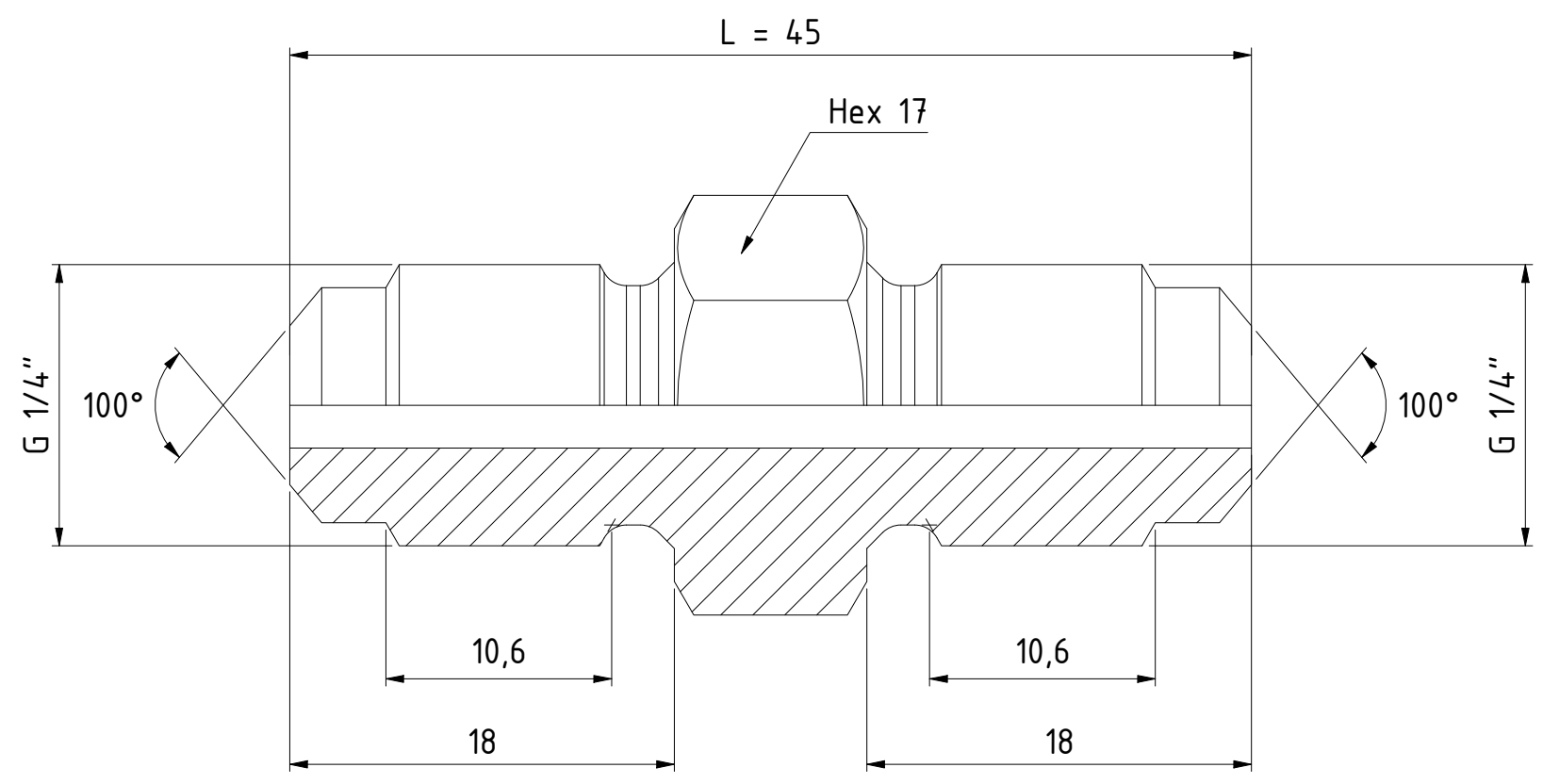


This document must not be copied, either completely or in part, without permission. Any infringement will have legal consequences ©




1 : 1



CEJN part no.	Length (L)	Part no.
199501601	45	3180374-6
199501701	70	5891177-1
199501703	80	5891179-5
199501705	90	5891180-5
199501706	100	5891181-7
199501704	110	5891183-0
199501707	120	5891185-4

Product No.	199501601
Nominal flow Ø DN:	4 mm
Connection Stroke:	mm
Max WP Connected:	3000 bar
Min BP Connected:	6000 bar
Temperature range:	°C - °C
Connection:	G 1/4" Male
Sealing material:	
Hexagon:	17

2	2	Thread protection	Plastic
1	1	Adaptor	Steel, Zn-Fe 8 black
Item	Qty	Description	Material
		Scale: 3 : 1	Drawn: CABANLA
		Checked:	Appr.: JW
		ECO:	Date: 2021-02-08
			Issue: AB
Assembly Drawing 509501601			Sheet: 1 / (1)

