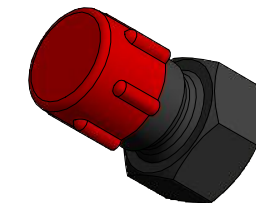
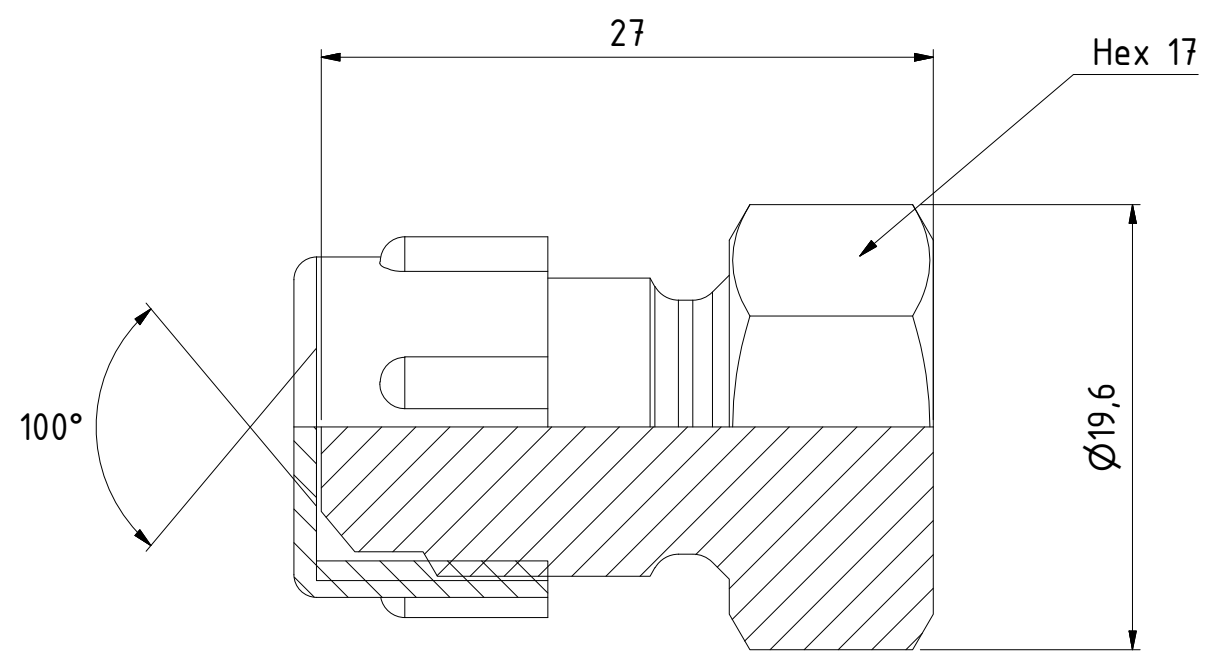


This document must not be copied, either completely or in part, without permission. Any infringement will have legal consequences ©




1 : 1



Product No.	199501600
Nominal flow $\varnothing$ DN:	- mm
Connection Stroke:	- mm
Max WP Connected:	3000 bar
Max WP Disconnected:	- bar
Min BP Connected:	6000 bar
Min BP Disconnected:	- bar
Temperature range:	-°C - -°C
Connection:	G 1/4" Male
Sealing material:	-
Hexagon:	-

Item	Qty	Description	Material
2	1	Thread protection	Plastic
1	1	Plug	Steel, Zn-Ni 10 black

	Scale	3 : 1	Drawn	CABANLA	Checked	EP07	Appr.	JW	ECO	Date	2017-11-29
	<b>Assembly Drawing 509501600</b>								Issue	AA	Sheet

