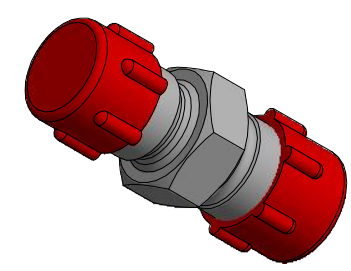
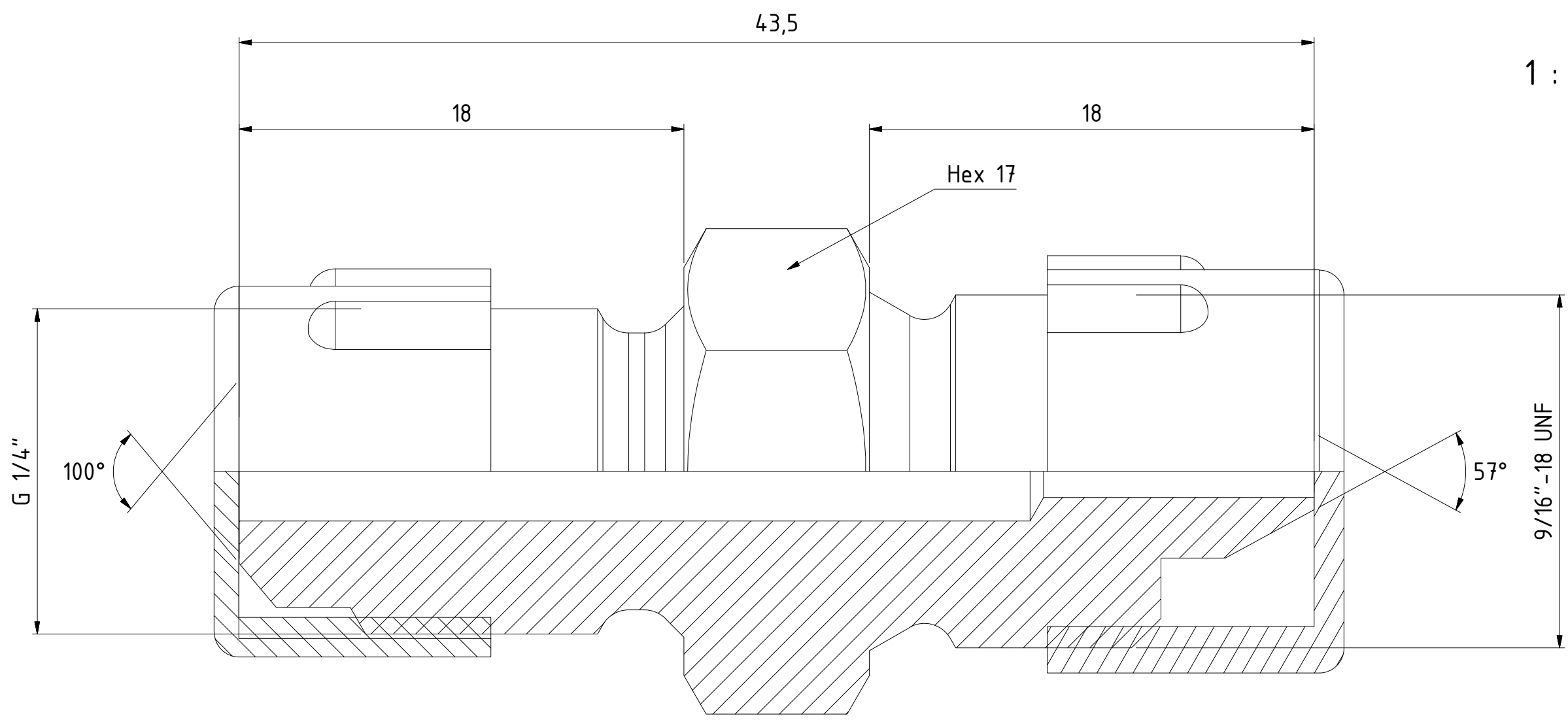


This document must not be copied, either completely or in part, without permission. Any infringement will have legal consequences ©



1 : 1

Product No.	199500022
Nominal flow \varnothing DN:	2,0 mm
Connection Stroke:	mm
Max WP Connected:	3000 bar
Max WP Disconnected:	bar
Min BP Connected:	6000 bar
Min BP Disconnected:	bar
Temperature range:	$^{\circ}\text{C} - ^{\circ}\text{C}$
Connection:	See drawing
Sealing material:	See drawing
Hexagon:	See drawing

Item	Qty	Description	Material
3	1	Thread protection	Plastic
2	1	Thread protection	Plastic
1	1	Adaptor	Steel. Chemical nickel plated

	Scale	5 : 1	Drawn	CABANLA	Checked	EP07	Appr.	JW	ECO	Date	2017-11-29
	Assembly Drawing 509500022								Issue	AA	Sheet