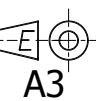
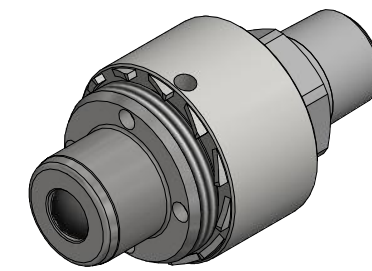
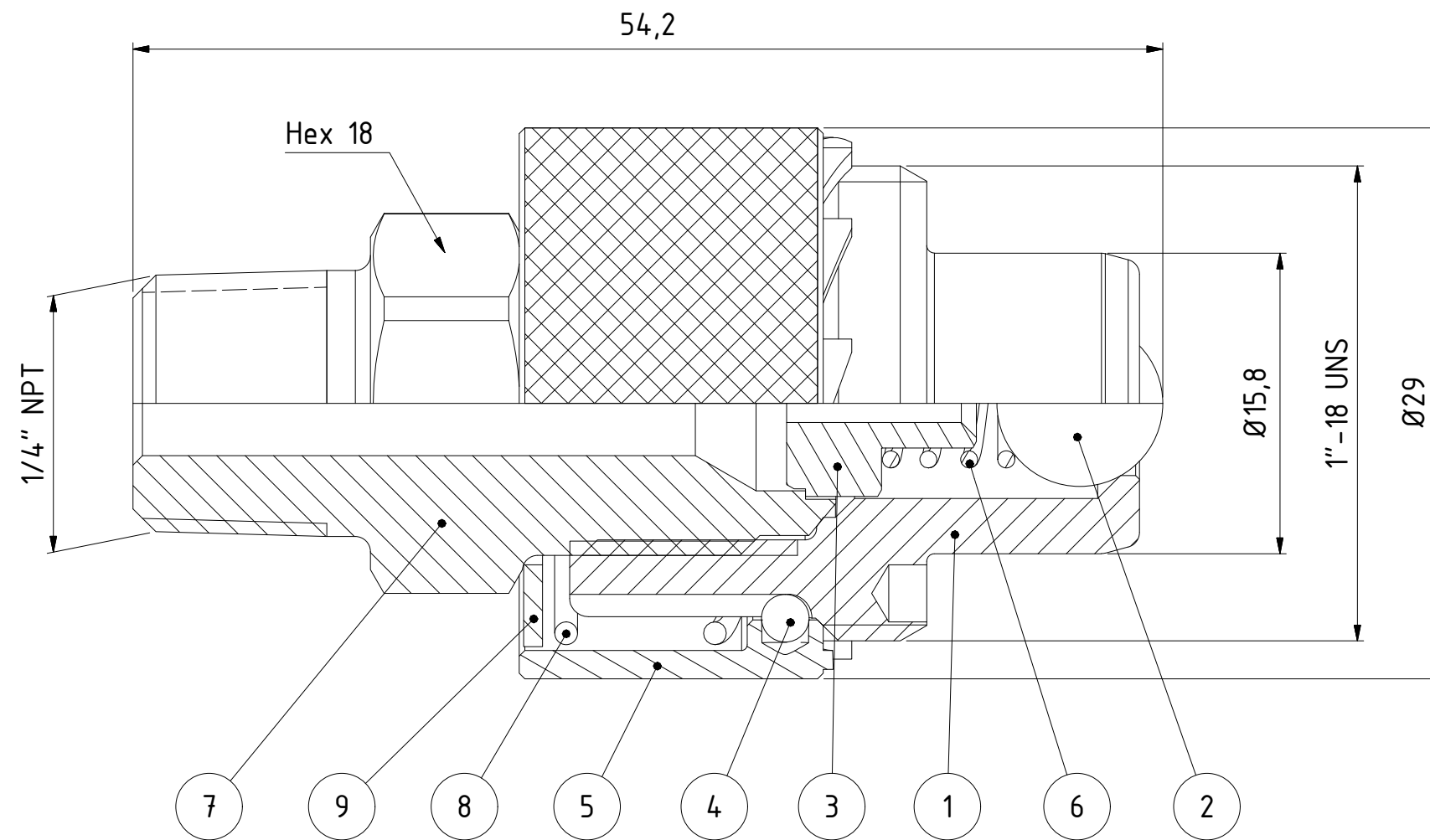


This document must not be copied, either completely or in part, without permission. Any infringement will have legal consequences ©



D
C
B
A



1 : 1

Compliant with ISO 14540

Product No. 102326492

Nominal flow \varnothing DN: 6,3 mm
 Connection Stroke: mm
 Max WP Connected: 720 bar
 Max WP Disconnected: 720 bar
 Min BP Connected: 2160 bar
 Min BP Disconnected: 1440 bar
 Temperature range: -30°C - +100°C
 Connection: 1/4" NPT male
 Sealing material: -
 Hexagon: 18

9	1	Washer	Steel
8	1	Spring	Stainless steel
7	1	Back part	Steel. Zn 8 silver
6	1	Spring	Stainless steel
5	1	Locking Sleeve	Steel, Zn 8 silver
4	2	Ball	Stainless steel
3	1	Stop Flange	Steel, Zn 8 silver
2	1	Ball	Chrome steel
1	1	Nipple body	Steel, Zn 8 silver
Item	Qty	Description	Material



Scale: 3 : 1 Drawn: cabao Checked: FR Appr.: JE ECO: 12232 Date: 2018-10-08

Assembly Drawing 502326492

Issue: AB Sheet: 1 / (1)

6

5

4

3

2

1