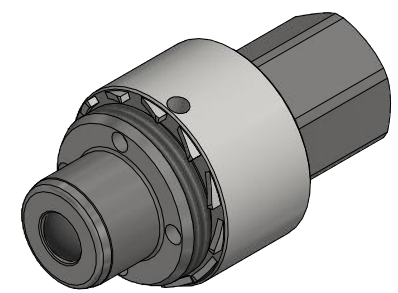
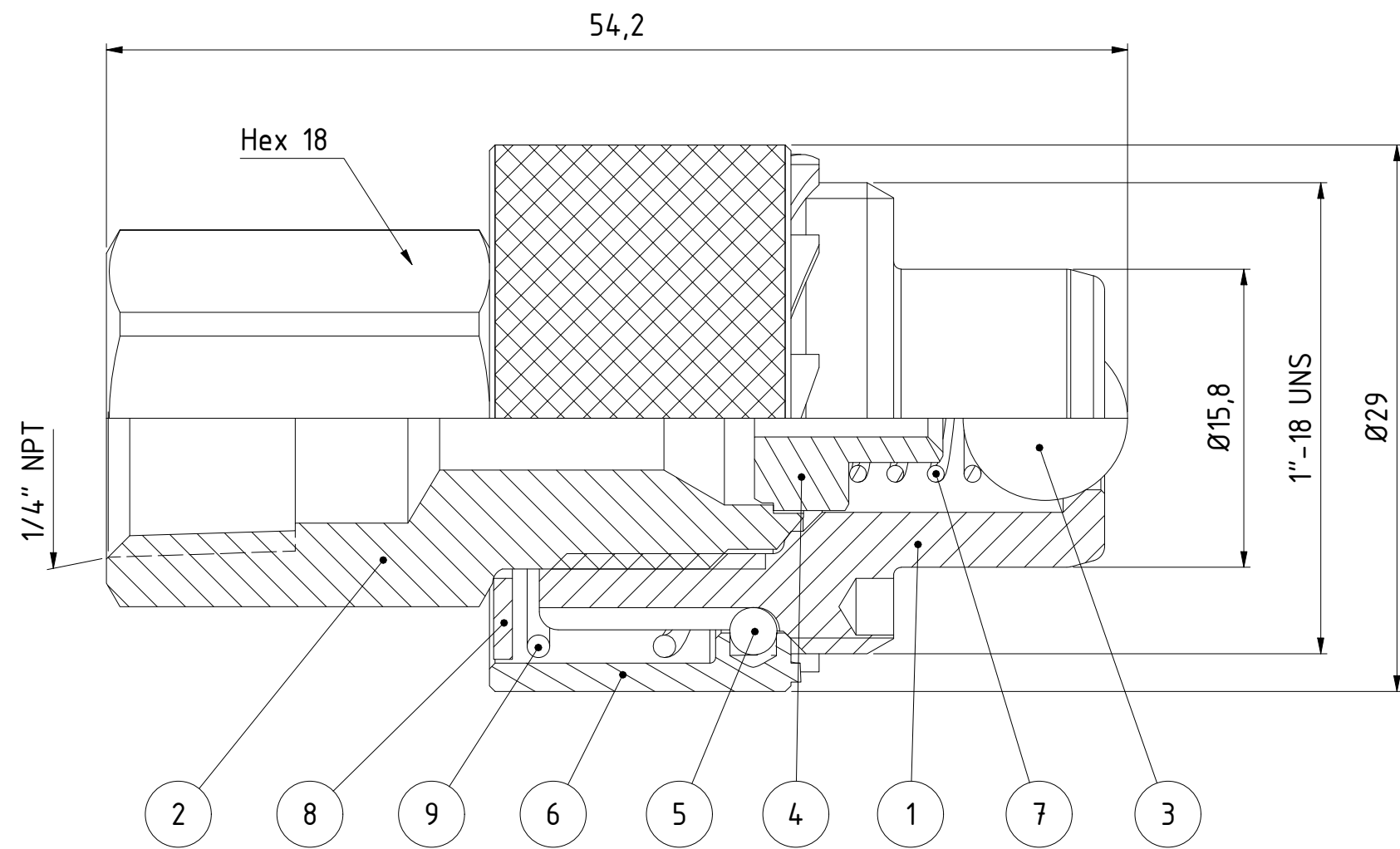


This document must not be copied, either completely or in part, without permission. Any infringement will have legal consequences ©



1 : 1

Compliant with ISO 14540

Product No. 102326442	
Nominal flow \varnothing DN:	6,3 mm
Connection Stroke:	mm
Max WP Connected:	720 bar
Max WP Disconnected:	720 bar
Min BP Connected:	2160 bar
Min BP Disconnected:	1440 bar
Temperature range:	-30°C - +100°C
Connection:	1/4" NPT female
Sealing material:	-
Hexagon:	18

Item	Qty	Description	Material
9	1	Spring	Stainless steel
8	1	Washer	Steel
7	1	Spring	Stainless steel
6	1	Locking Sleeve	Steel, Zn 8 silver
5	2	Ball	Stainless steel
4	1	Stop Flange	Steel, Zn 8 silver
3	1	Ball	Chrome steel
2	1	Back part	Steel, Zn 8 silver
1	1	Nipple body	Steel, Zn 8 silver

	Scale	3 : 1	Drawn	cabao	Checked	FR	Appr.	JE	ECO	12232	Date	2018-10-03
	Assembly Drawing 502326442								Issue	AB	Sheet	1 / (1)

