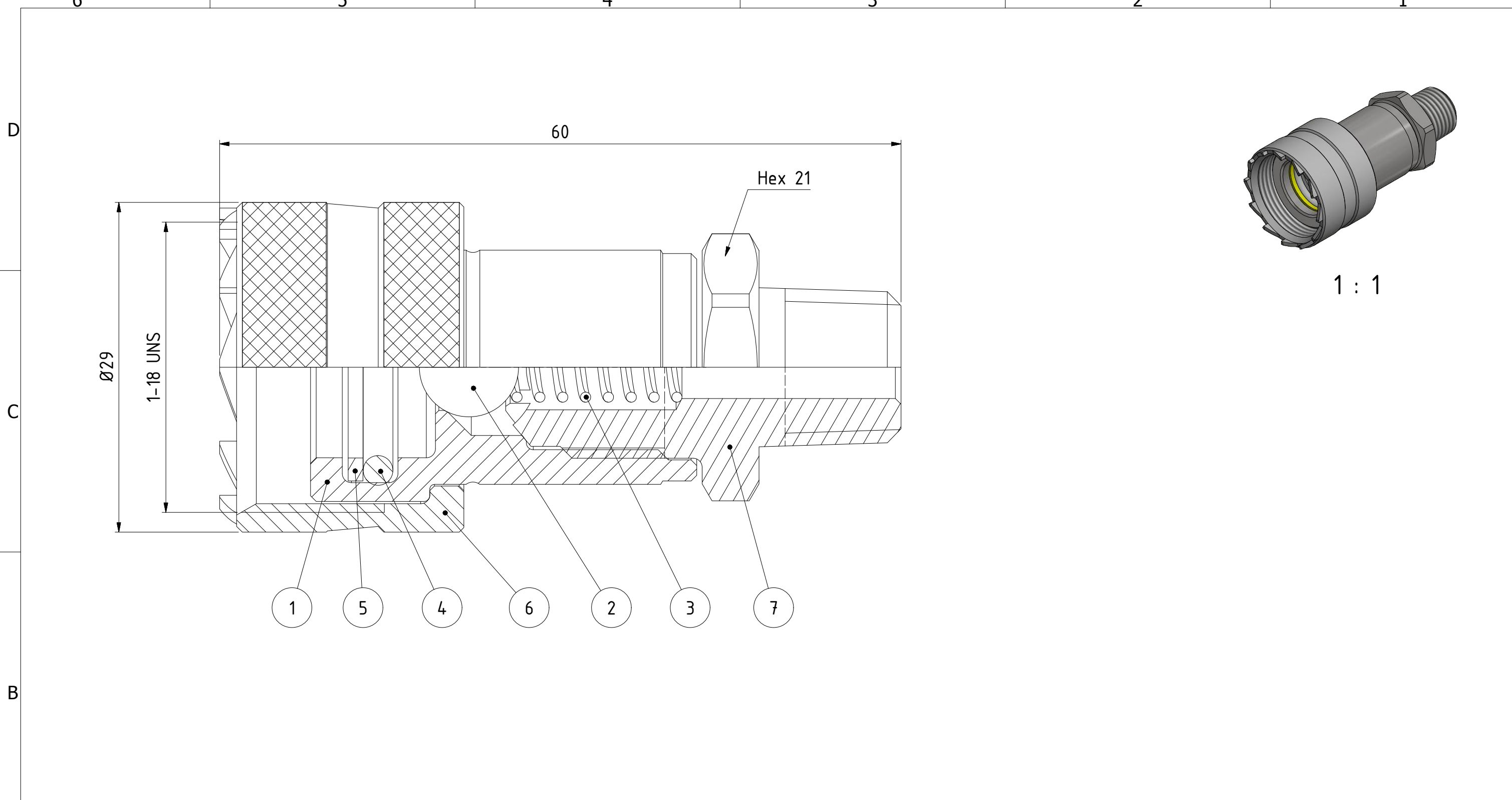



This document must not be copied, either completely or in part, without permission. Any infringement will have legal consequences ©



Compliant with ISO 14540

Product No.	102321492
Nominal flow Ø DN:	6,3 mm
Connection Stroke:	mm
Max WP Connected:	720 bar
Max WP Disconnected:	720 bar
Min BP Connected:	2160 bar
Min BP Disconnected:	1440 bar
Temperature range:	-30°C - +100°C
Connection:	1/4" NPT male
Sealing material:	NBR
Hexagon:	21

Item	Qty	Description	Material
7	1	Back part	Steel, Zn 8 silver
6	1	Locking sleeve	Steel, Zn 8 silver
5	1	Back-up ring	Hytrel
4	1	O-ring	NBR
3	1	Spring	Steel
2	1	Ball	Chrome steel
1	1	Coupling body	Steel, Zn 8 silver

	Scale	3 : 1	Drawn	CABAO	Checked	FR	Appr.	JE	ECO	12232	Date	2018-10-08	
	<b>Assembly Drawing 502321492</b>								Drawing No.				
										Issue	AB	Sheet	1 / (1)

A3