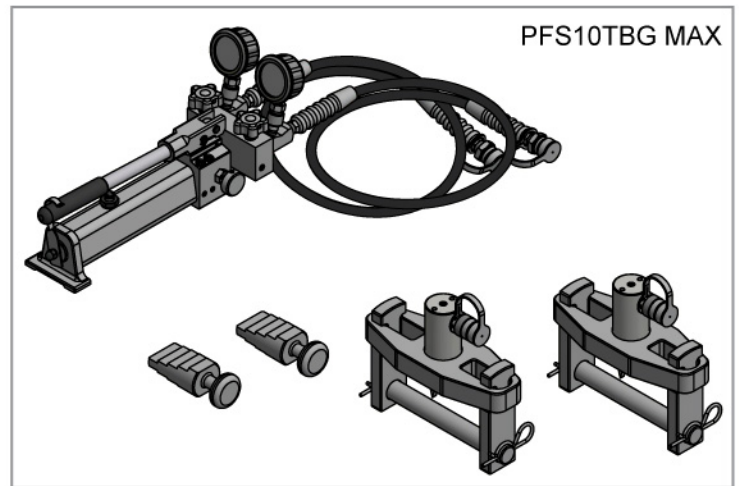


HYDRAULIC FLANGE SPREADER - PFS10T

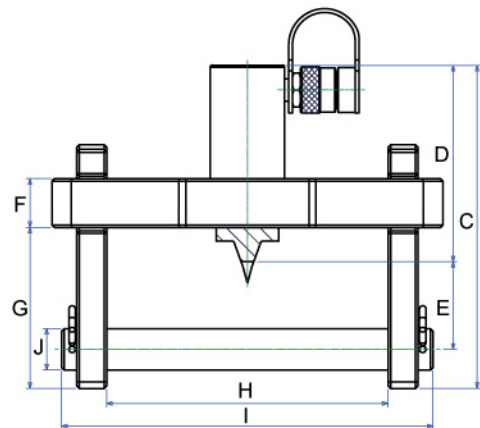
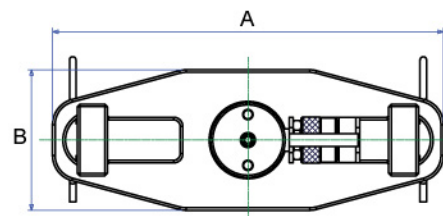


FEATURES

- Suggest to use in sets for an even and higher spreading force.
- The claw widths are adjustable from 104 mm to 216 mm for wide range usage.
- All models are including safety block to remove the spreader and hold the loading.
- PFS10TI has a built-in hydraulic system, therefore the hand pump, hose and gauge are not necessary.

SPECIFICATIONS

Model No.	Package included				
	Hand Pump	1.5M Hose & Coupler	Gauge & Adaptor	Safety Block	Steel Case
PFS10T MIN	--	--	--	V	--
PFS10TBG	V	V	V	V	V
PFS10TBG MAX	V	x 2	x 2	x 2	V
PFS10TI	--	--	--	V	V



SPECIFICATIONS

Model No.	Max. Flange Thickness (mm)	Stud Size (mm)	Standard Wedge (mm)	Capacity (Ton)	Stoke (mm)	Oil Capacity (cm ³)	A (mm)	B (mm)	C (mm)	F (mm)	G (mm)	H (mm)	I (mm)	J (mm)	Weight (kgs)
PFS10T MIN	216	31.75-41.44	3.3 - 28.7	10	51	73	300	108	248	38	124	216	285	31.75	15
PFS10TBG	216	31.75-41.44	3.3 - 28.7	10	51	73	300	108	248	38	124	216	285	31.75	25.2
PFS10TBG MAX	216	31.75-41.44	3.3 - 28.7	10 x 2	51	73	300	108	248	38	124	216	285	31.75	46.6
PFS10TI	216	31.75-41.44	3.3 - 28.7	10	51	73	300	108	375	38	124	216	285	31.75	17.5