

# HYDRAULIC EASY PULLERS

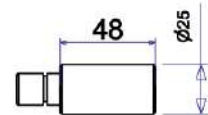
The first 2/3 way Hydraulic Easy Puller in the world !



Puller Assembled Package

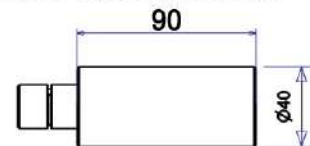


B1128



Extension Rod for 4, 6, 8 & 12 Tons Pullers

B1129



Extension Rod for 20 & 30 Tons Pullers

## USER-CONVENIENTLY

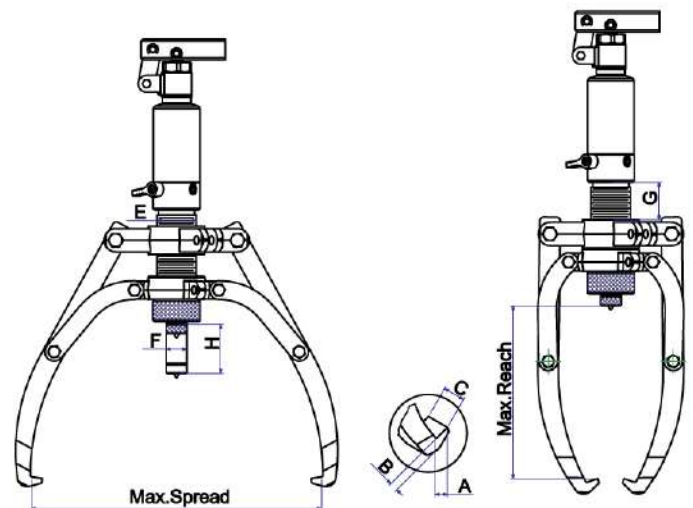
- Made of fast-acting and self-positioning jaws which is absolutely user-friendly for operating with just one person needed.
- 360° Rotary Handle socket enables the user to operate the pumping in all directions.
- Attached extension rods allow the user to extend the stroke according to the needs.
- User-Friendly package with the well assembled puller inside for immediately operating and easily put away after objects pulled out.

## SAFE

- The self-contained Hydraulic pump equipped with the built-in safety valve is designed to prevent the overload to the puller.
- Self-locking jaws prevent the puller jaw from slipping off under loading and/or hydraulic force releasing.

## COST SAVING

- Assembled packaging conveniently positioning and efficiently pulling help to save much on manpower and operating time.
- The first 2 / 3 way Hydraulic Easy Puller brings the users the best option for much cost saving.



## SPECIFICATIONS

Capacity	Model No.	Reach (Max. mm)	Spread (Max. mm)	Stroke (mm)		Pump Tip (mm)				Jaw Tip (mm)			Weight (kg)
				H	E	F	G	A	B	C			
4 Ton	PME400	190	315	60	42	22	40	13	10	22	8.0		
6 Ton	PME600	230	390	70	45	23	50	13	10	22	9.8		
8 Ton	PME800	280	460	85	50	25	70	13	13	27.5	11.7		
12 Ton	PME1200	300	515	85	60	28	70	15	16.5	29	14.8		
20 Ton	PME2000	325	520	111	80	40	62	18	20	33	25.7		
30 Ton	PME3000	415	620	111	98	50	85	18	20	38	36.0		

Patented in USA, Germany, Taiwan, P.R.C.....etc.