

AIR HYDRAULIC FOOT PUMP

MODEL: AP921

Single acting model

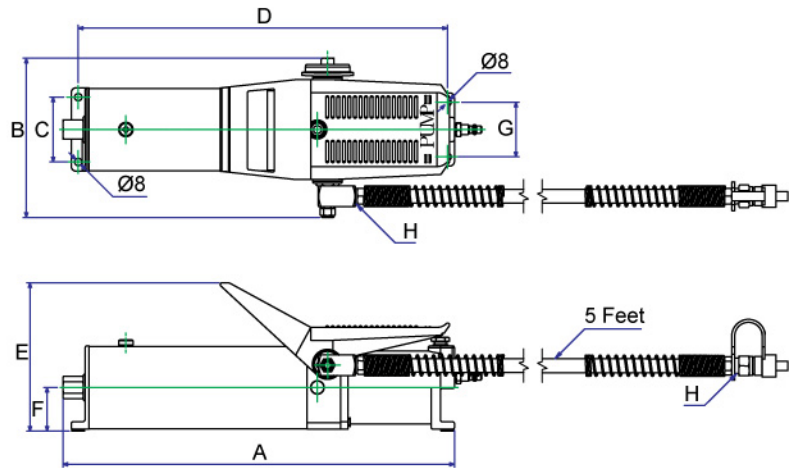
Max. working pressure: 700 bar



AP921

FEATURES

- Air-power hydraulic pump is designed for using with single-acting cylinders and tools, like Powerram's cylinder ram series.
- Rugged construction and most components are made of Aluminum alloy and built for long service life, easy operation and portability.
- Automatic overload relief setting as 10,000 psi protects components in hydraulic system and ensure work safety.
- New Inlet & Outlet design features low exhausting air volume, non-noise effect and can be operated in all directions.
- Oil capacity can be modified according to your specific application.



Model No.	Acting	Max. Pressure Output (psi)	Valve		Oil Del. (c.c./min. @)*			
			Type	Function	0(psi)	100(psi)	5000(psi)	10000(psi)
AP921	Single	10,000	---	Advance	700	---	---	100

Model No.	Input Air Pressure (kg)	Reservoir Capacity (c.c.)	Usable Oil Capacity (c.c.)	A (mm)	B (mm)	C (mm)	D (mm)	E (mm)	F (mm)	G (mm)	H (mm)	Weight (kg)
AP921	7-10	850	750	423	170	70	399	160	47	59	3/8-NPT	5.4

AIR HYDRAULIC FOOT PUMP

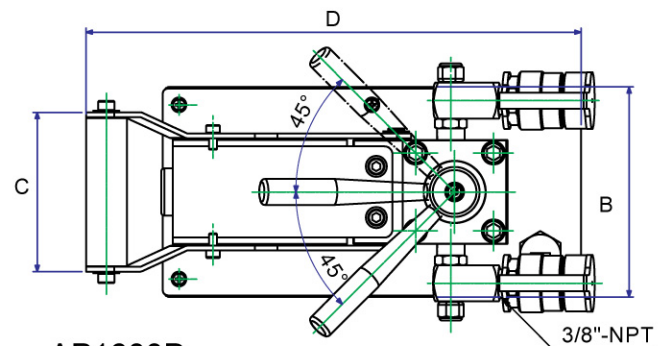
MODEL: AP1600 & AP3000 SERIES

Single & Double acting models
Max. working pressure: 700 bar

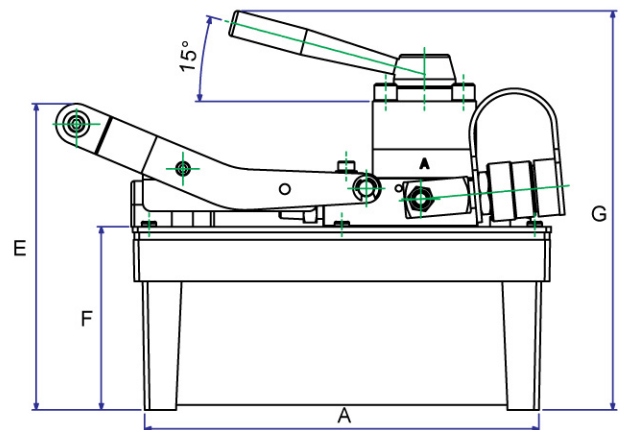


FEATURES

- Air-power hydraulic pump is designed for using with single-acting cylinders and tools, like Powerram's cylinder ram series.
- Rugged construction and most components are made of Aluminum alloy and built for long service life, easy operation and portability.
- Automatic overload relief setting as 10,000 psi protects components in hydraulic system and ensure work safety.
- New Inlet & Outlet design features low exhausting air volume, non-noise effect and can be operated in all directions.
- Oil capacity can be modified according to your specific application.



AP1600D



Model No.	Acting	Max. Pressure Output (psi)	Valve		Oil Del. (c.c./min. @)*			
			Type	Function	0(psi)	100(psi)	5000(psi)	10000(psi)
AP1600S	Single	10,000	---	Advance	1250	---	---	193
AP3000S		10,000			1250	---	---	193
AP1600D	Double	10,000	3 Position / 4 Way	Advance/ Hold/ Retract	1250	---	---	193
AP3000D		10,000			1250	---	---	193

Model No.	Input Air Pressure (kg)	Reservoir Capacity (c.c.)	Usable Oil Capacity (c.c.)	A (mm)	B (mm)	C (mm)	D (mm)	E (mm)	F (mm)	G (mm)	H (mm)	Weight (kg)
AP1600S Series	7-10	1600	1300	242	129	90	257	150.4	112.6	205	---	7.3
AP1600D Series	7-10	1600	1300	242	129	98	304	188	112.6	245	---	9.1
AP3000S Series	7-10	3000	2500	309	160	90	325	151.3	113.5	205	---	9.3
AP3000D Series	7-10	3000	2500	309	160	98	343	189	113.5	246	---	12.0