

This document must not be copied, either completely or in part, without permission. Any infringement will have legal consequences ©

A3

6 5 4 3 2 1

D

C

B

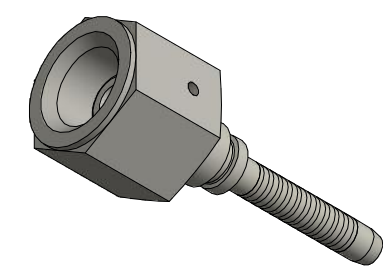
A

D

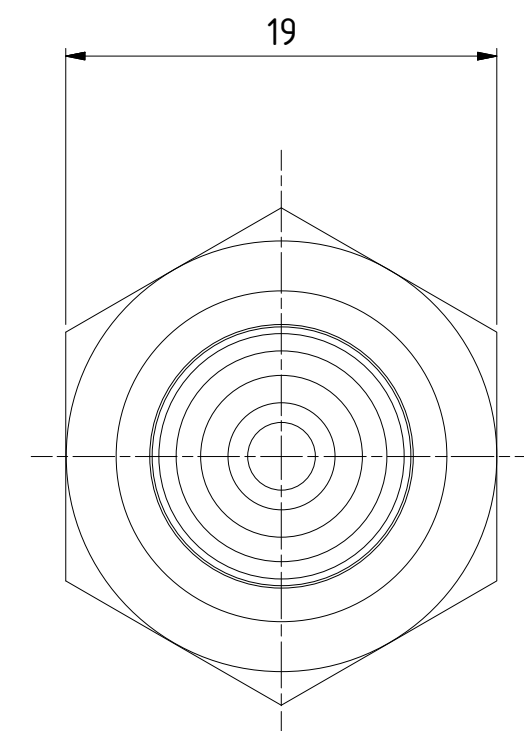
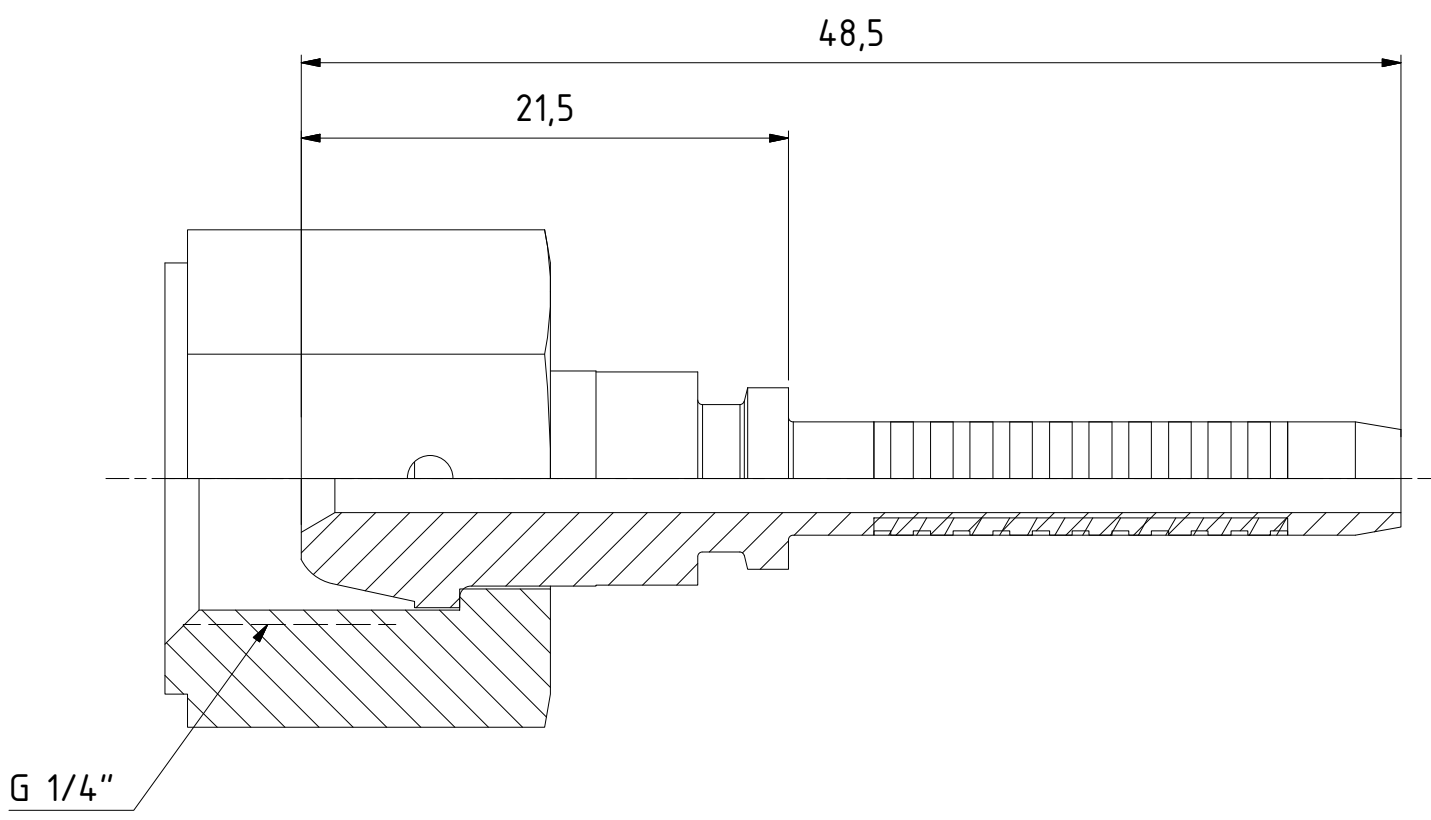
C

B

A



1 : 1



Scale	3 : 1	Drawn	CABANLA	Checked	CABEP07	Appr.	CABJW	ECO	Date	2017-11-07
Drawing No.								Issue	Sheet	
Assembly Drawing								199511543	AA	1 / (1)

6 5 4 3 2 1