

This document must not be copied, either completely or in part, without permission. Any infringement will have legal consequences ©

A3

6 5 4 3 2 1

D

D

C

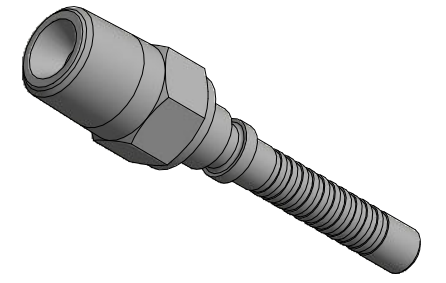
C

B

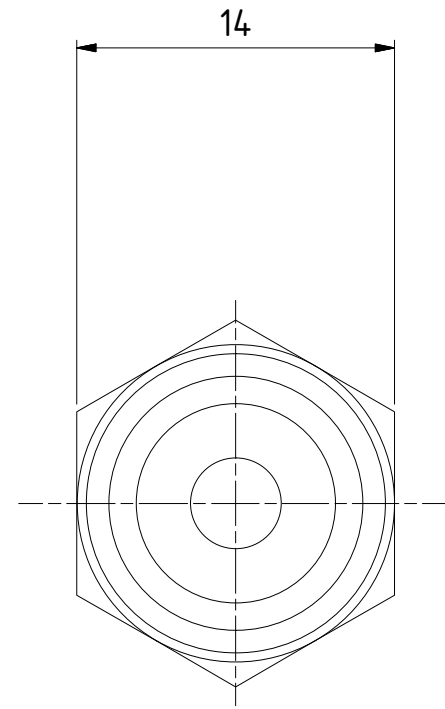
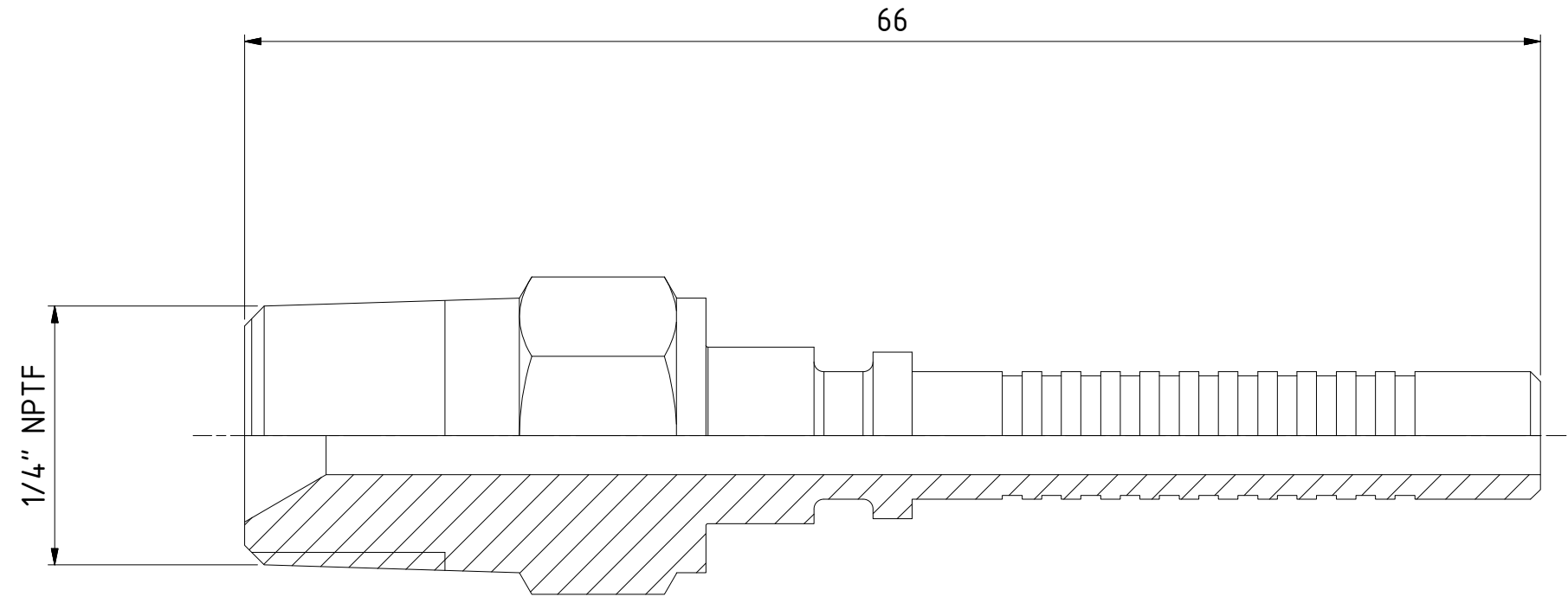
B

A

A



1 : 1



Scale	3 : 1	Drawn	CABANLA	Checked	CABEP07	Appr.	CABJW	ECO	Date	2017-10-31			
Assembly Drawing								Drawing No.	199510734	Issue	AA	Sheet	1 / (1)

6 5 4 3 2 1