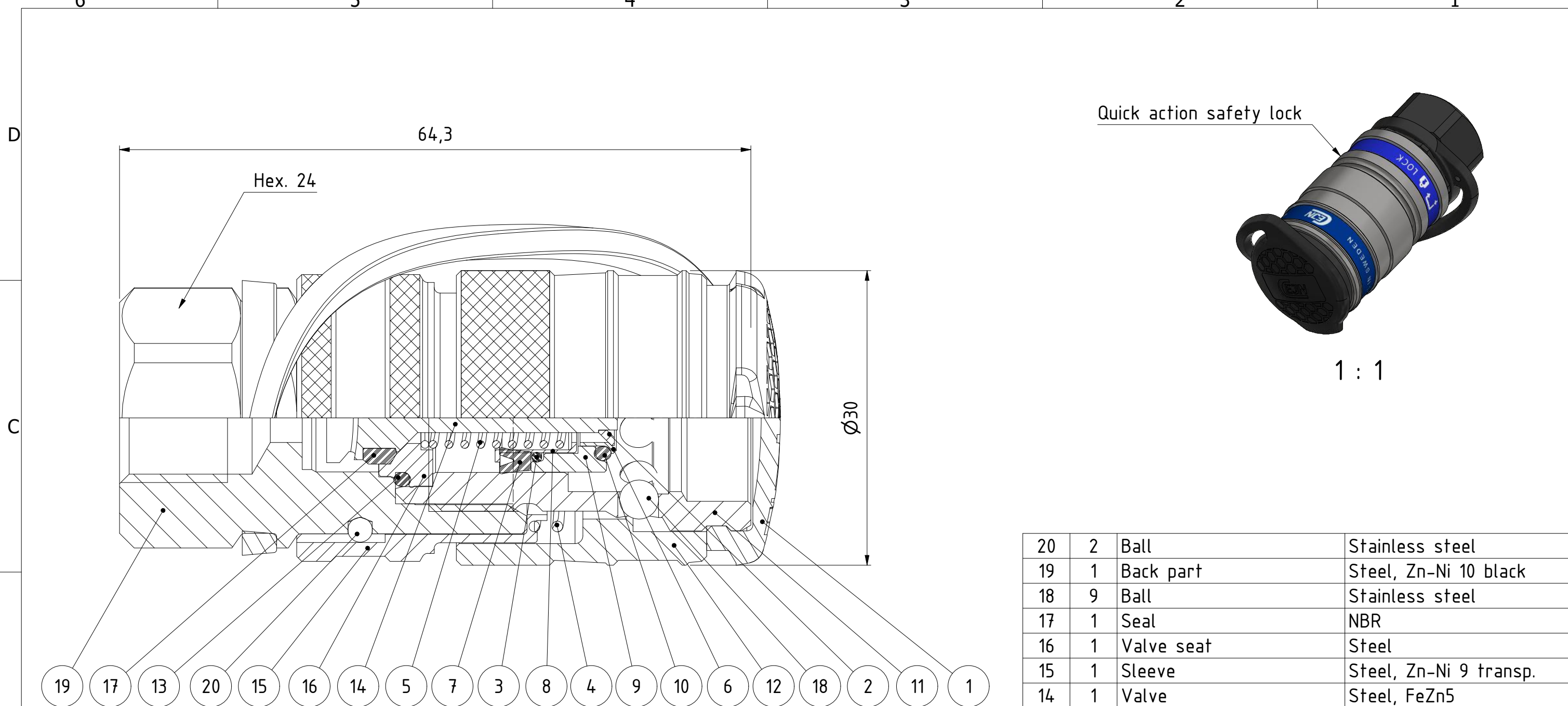


This document must not be copied, either completely or in part, without permission. Any infringement will have legal consequences ©

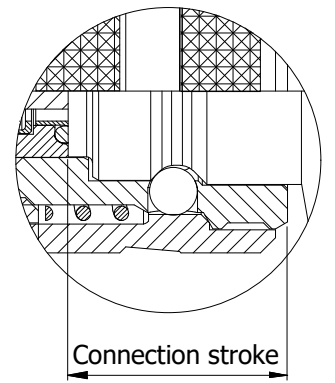


- 19
- 17
- 13
- 20
- 15
- 16
- 14
- 5
- 7
- 3
- 8
- 4
- 9
- 10
- 6
- 12
- 18
- 2
- 11
- 1

20	2	Ball	Stainless steel
19	1	Back part	Steel, Zn-Ni 10 black
18	9	Ball	Stainless steel
17	1	Seal	NBR
16	1	Valve seat	Steel
15	1	Sleeve	Steel, Zn-Ni 9 transp.
14	1	Valve	Steel, FeZn5
13	1	O-ring	NBR
12	1	Locking sleeve	Hard.steel,Zn-Ni 9 transp
11	1	Front part	Steel, Zn-Ni 10 black
10	1	O-ring	NBR
9	1	Expansion sleeve	Plastic
8	1	Spring housing	Steel
7	1	Lip seal	NBR
6	1	O-ring sleeve	Steel
5	1	Spring	Steel
4	1	Spring	Stainless steel
3	1	O-ring	NBR
2	1	Washer	Steel
1	1	Dust Cap	TPE, black
Item	Qty	Description	Material

Product No. 101251203

Nominal flow \varnothing DN: 2.5 mm
 Connection Stroke: 20.2 mm
 Max WP Connected: 2500 bar
 Max WP Disconnected: 2500 bar
 Min BP Connected: 5000 bar
 Min BP Disconnected: 5000 bar
 Max. number of pressure cycles: 10 000
 Temperature range: -30°C - +100°C
 Connection: G 1/4" Fem
 Sealing material: NBR
 Hexagon: 24



Scale: 2,5 : 1 Drawn: CABAO Checked: FR Appr.: JE ECO: 12061 Date: 2018-04-19

CEJN Drawing No. 501251203 Issue: AD Sheet: 1/(1)