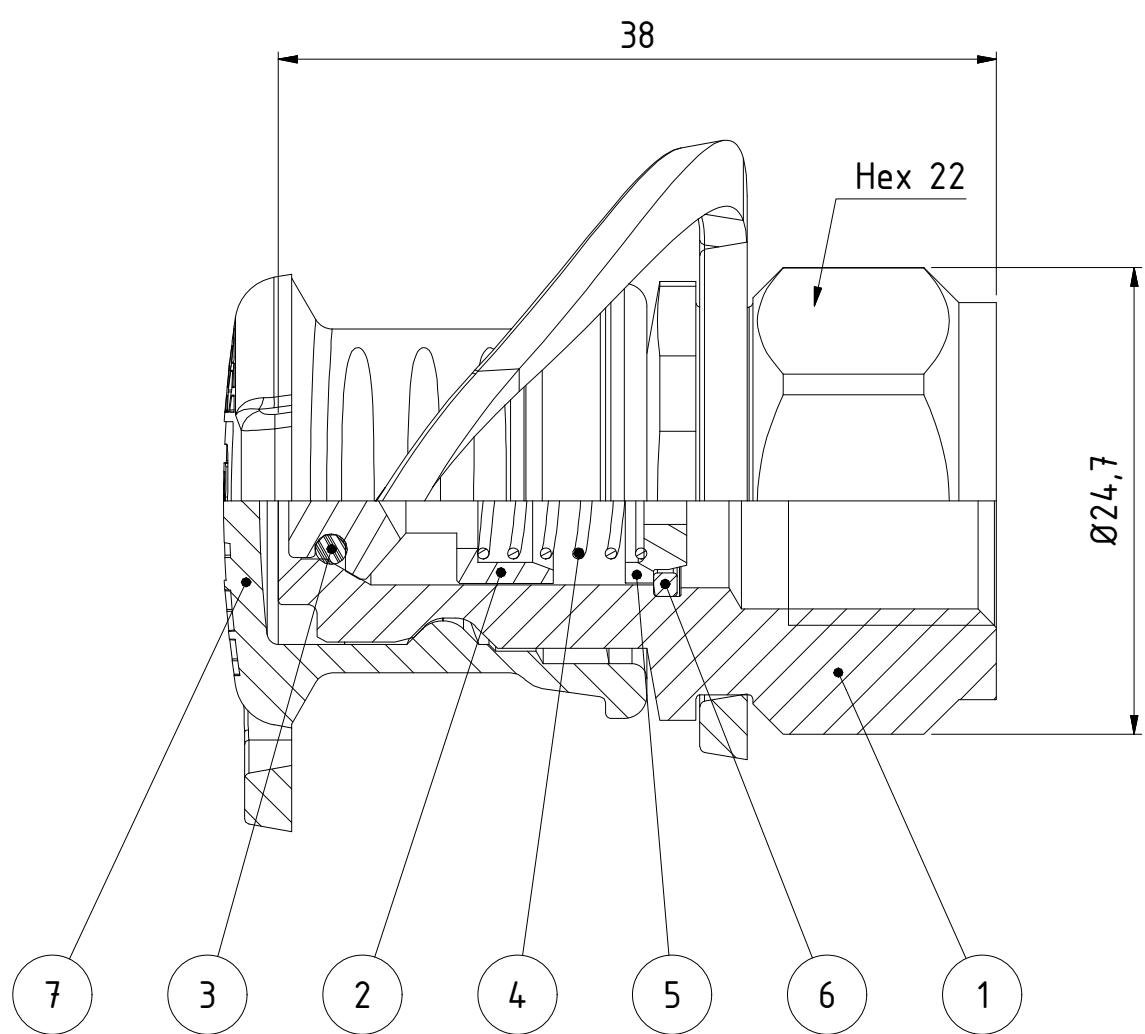


This document must not be copied, either completely or in part, without permission. Any infringement will have legal consequences ©



1 : 1

Product No.	101166202
Nominal flow Ø DN:	2.5 mm
Connection Stroke:	- mm
Max WP Connected:	1500 bar
Max WP Disconnected:	1500 bar
Min BP Connected:	3000 bar
Min BP Disconnected:	3000 bar
Temperature range:	-30°C - +100°C
Connection:	G 1/4" Fem
Sealing material:	NBR
Hexagon:	22

Item	Qty	Description	Material
7	1	Dust cap	TPE
6	1	Lock ring	Steel
5	1	Stop for valve	Steel
4	1	Spring	Steel
3	1	O-ring	NBR
2	1	Valve	Brass
1	1	Nipple body	Hard. steel, Steel, Zn-Ni 10 black

	Scale	5:2	Drawn	cabao	Checked	FR	Appr.	JE	ECO	12067	Date	2018-05-24
	Assembly Drawing 501166202								Drawing No.	Issue: AB Sheet: 1/(1)		

A3