

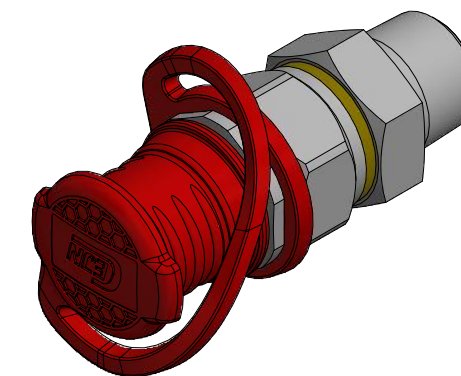
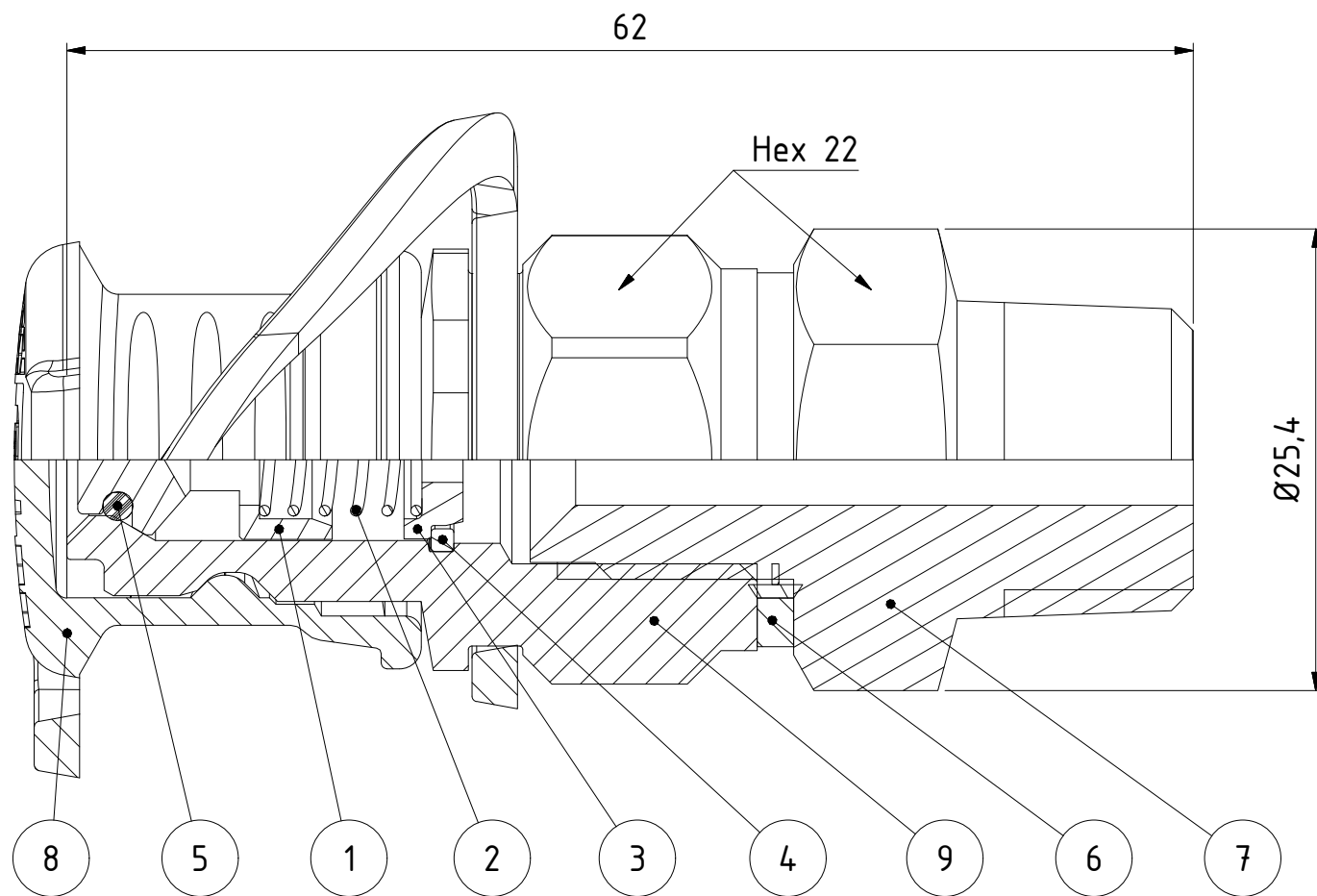
6 5 4 3 2 1

D

C

B

A



1 : 1

D

C

B

A

This document must not be copied, either completely or in part, without permission. Any infringement will have legal consequences ©

Product No.	101156454
Nominal flow $\varnothing$ DN:	2.5 mm
Connection Stroke:	- mm
Max WP Connected:	1000 bar
Max WP Disconnected:	1000 bar
Min BP Connected:	2600 bar
Min BP Disconnected:	- bar
Temperature range:	-30°C - +100°C
Connection:	3/8" NPT Male
Sealing material:	NBR
Hexagon:	22

Item	Qty	Description	Material
9	1	Nipple body	Steel, FeZn5 c 1A
8	1	Dust cap	TPE
7	1	Stop for valve	Steel, FeZn5 c 1A
6	1	Tredo seal	Steel / NBR
5	1	O-ring	NBR
4	1	Lock ring	Steel
3	1	Stop for valve	Steel
2	1	Spring	Steel
1	1	Valve	Brass

	Scale	5:2	Drawn	cabao	Checked	FR	Appr.	JE	ECO	12119	Date	2018-07-04
	Assembly Drawing 501156454								Drawing No.			Issue
										AB	1/(1)	

6 5 4 3 2 1

