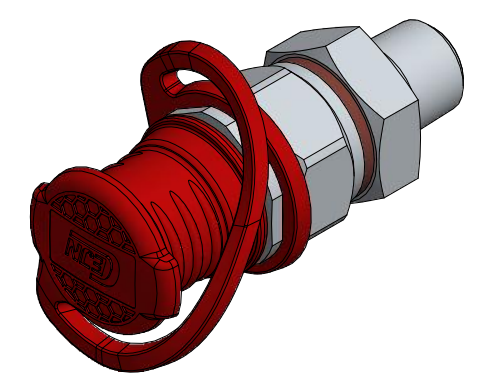
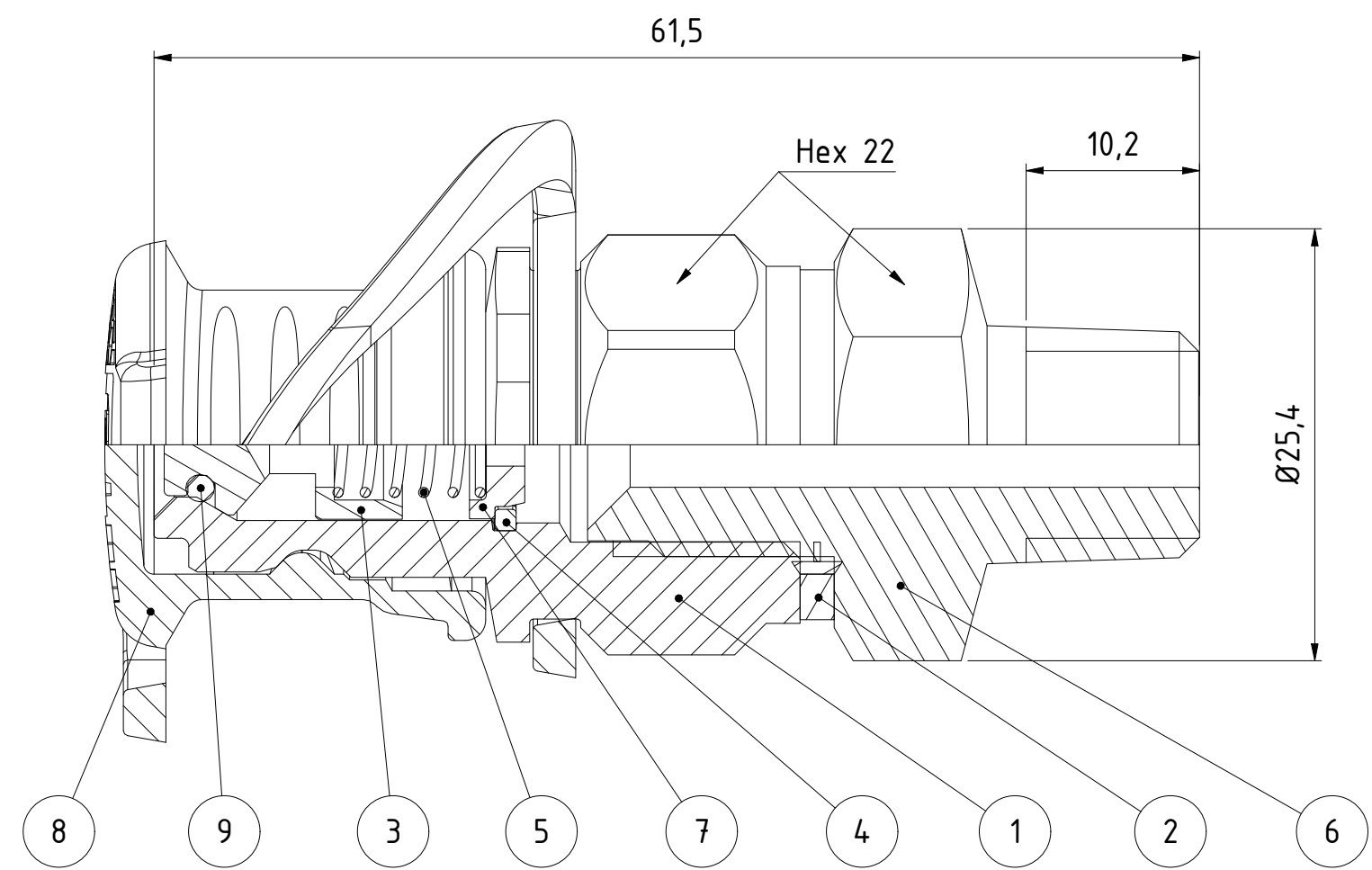
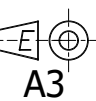


This document must not be copied, either completely or in part, without permission. Any infringement will have legal consequences ©



1 : 1

Product No. 101156452	
Nominal flow Ø DN:	2.5 mm
Connection Stroke:	- mm
Max WP Connected:	1000 bar
Max WP Disconnected:	1000 bar
Min BP Connected:	2600 bar
Min BP Disconnected:	- bar
Temperature range:	-30°C - +100°C
Connection:	1/4" NPT Male
Sealing material:	NBR
Hexagon:	22

Item	Qty	Description	Material
9	1	O-ring	NBR
8	1	Dust cap	TPE
7	1	Stop for valve	Steel
6	1	Stopp for valve	Steel, FeZn5 c 1A
5	1	Spring	Steel
4	1	Lock ring	Steel
3	1	Valve	Brass
2	1	Tredo seal	Steel / NBR
1	1	Nipple body	Steel, FeZn5 c 1A

	Scale	5:2	Drawn	cabao	Checked	FR	Appr.	JE	ECO	12119	Date	2018-07-03
	Drawing No. Assembly Drawing 501156452								Issue	AB	Sheet	1 / (1)