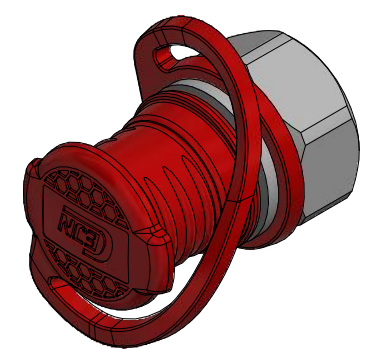
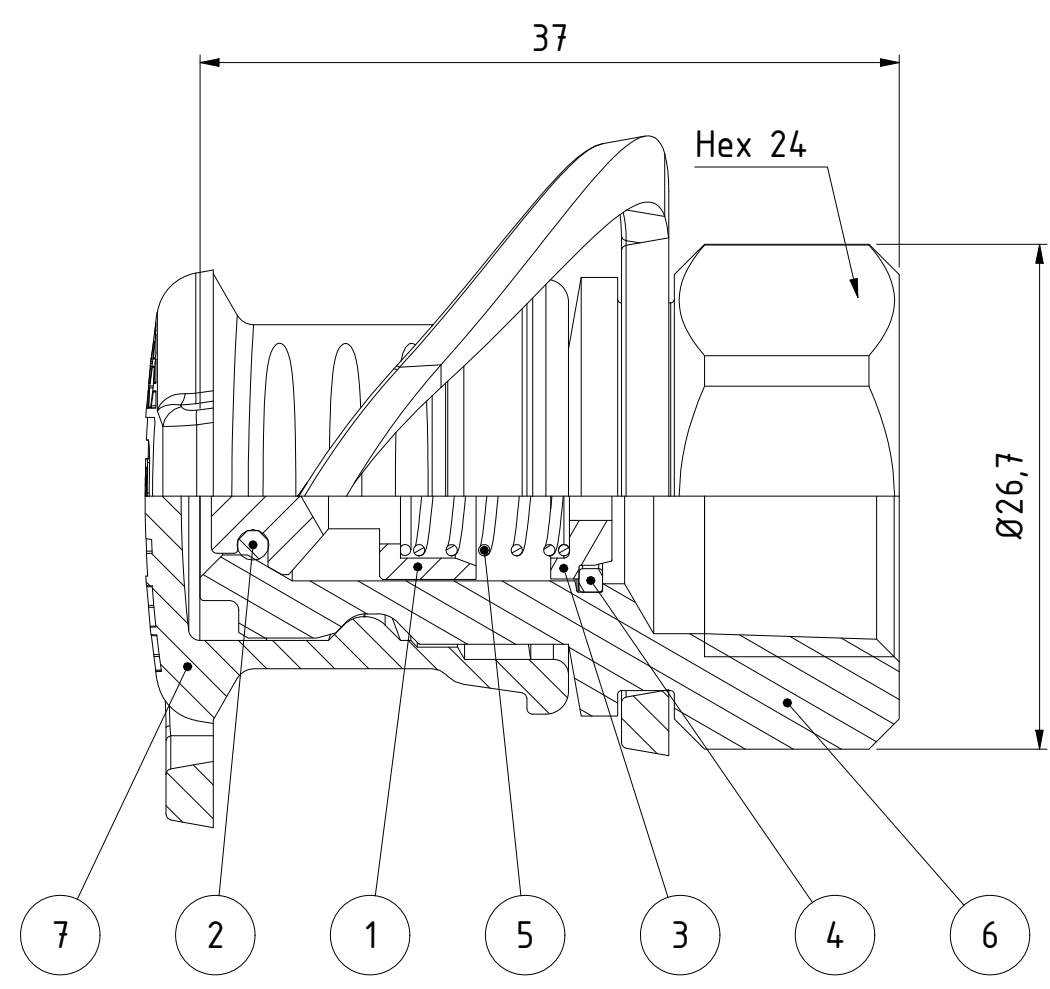
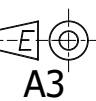


This document must not be copied, either completely or in part, without permission. Any infringement will have legal consequences ©



1 : 1

Product No. 101156404	
Nominal flow Ø DN:	2.5 mm
Connection Stroke:	- mm
Max WP Connected:	1000 bar
Max WP Disconnected:	1000 bar
Min BP Connected:	2600 bar
Min BP Disconnected:	- bar
Temperature range:	-30°C - +100°C
Connection:	3/8" NPT Fem
Sealing material:	NBR
Hexagon:	24

Item	Qty	Description	Material
7	1	Dust cap	TPE
6	1	Nipple body	Hard. steel, Zn 8 Silver
5	1	Spring	Steel
4	1	Lock ring	Steel
3	1	Stop for valve	Steel
2	1	O-ring	NBR
1	1	Valve	Brass

	Scale	5:2	Drawn	cabao	Checked	FR	Appr.	JE	ECO	12119	Date	2018-07-03
	<b>Assembly Drawing 501156404</b>								Drawing No.	Issue: AC Sheet: 1/(1)		