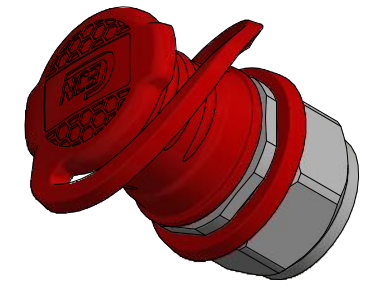
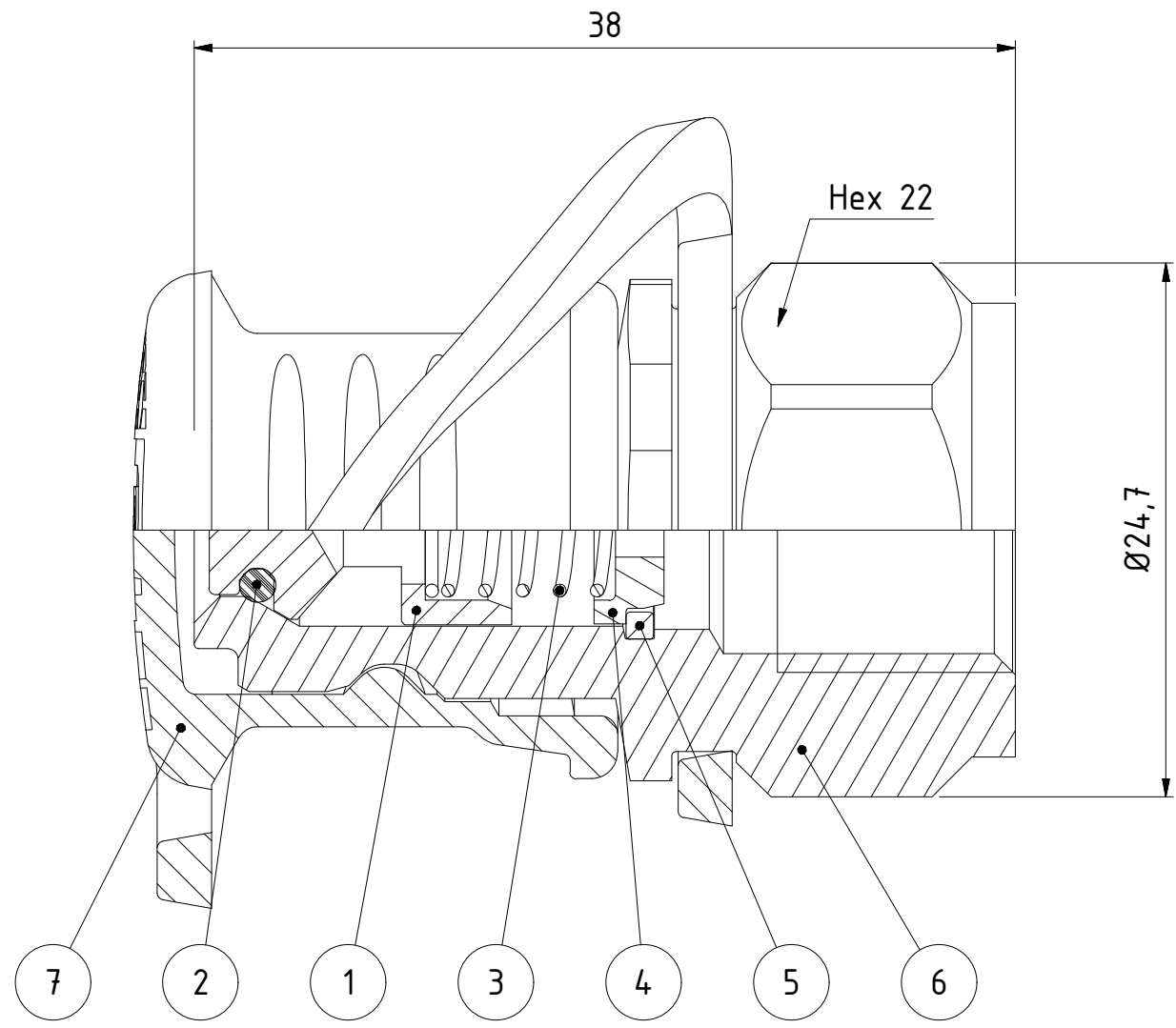



This document must not be copied, either completely or in part, without permission. Any infringement will have legal consequences ©



1 : 1

Product No.	101156202
Nominal flow Ø DN:	2.5 mm
Connection Stroke:	mm
Max WP Connected:	1000 bar
Max WP Disconnected:	1000 bar
Min BP Connected:	2600 bar
Min BP Disconnected:	2600 bar
Temperature range:	-30°C - +100°C
Connection:	G 1/4" Fem
Sealing material:	NBR
Hexagon:	22

Item	Qty	Description	Material
7	1	Dust cap	TPE
6	1	Nipple body	Steel, FeZn5 c 1A
5	1	Lock ring	Steel
4	1	Stop for valve	Steel
3	1	Spring	Steel
2	1	O-ring	NBR
1	1	Valve	Brass

	Scale	3 : 1	Drawn	CABAO	Checked	fr	Appr.	JE	ECO	12119	Date	2018-06-21	
	Assembly Drawing 501156202										Issue	AD	Sheet

