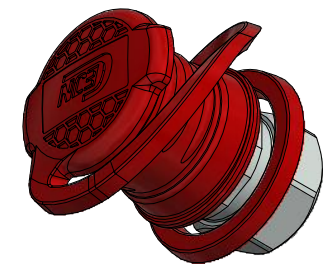
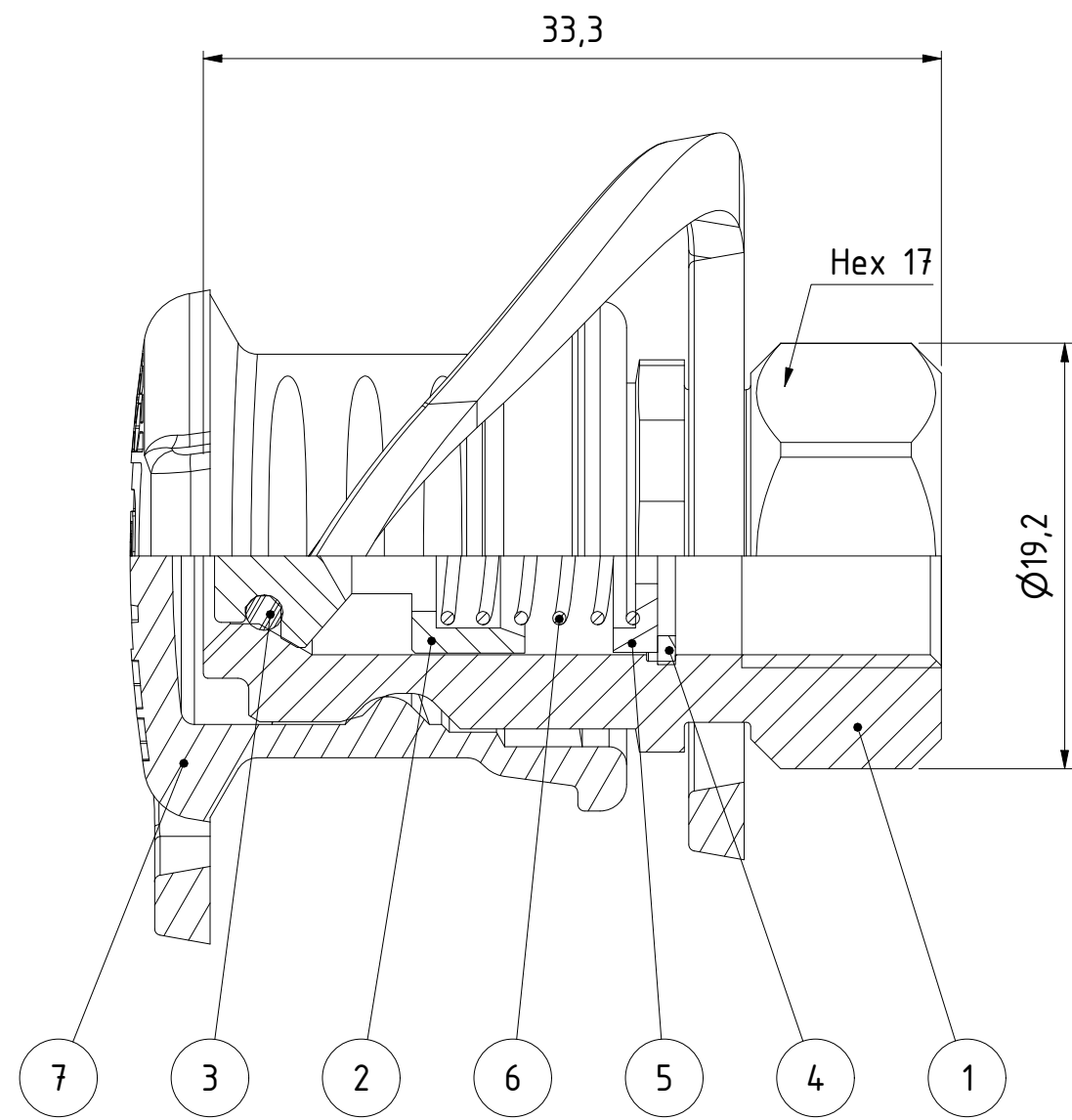



This document must not be copied, either completely or in part, without permission. Any infringement will have legal consequences ©



1 : 1

Product No. 101156201	
Nominal flow Ø DN:	2.5 mm
Connection Stroke:	- mm
Max WP Connected:	1000 bar
Max WP Disconnected:	1000 bar
Min BP Connected:	2600 bar
Min BP Disconnected:	2600 bar
Temperature range:	-30°C - +100°C
Connection:	G 1/8" Fem
Sealing material:	NBR
Hexagon:	17

Item	Qty	Description	Material
7	1	Dust cap	TPE
6	1	Spring	Steel
5	1	Stop for valve	Steel
4	1	Lock ring	Steel
3	1	O-ring	NBR
2	1	Valve	Brass
1	1	Nipple body	Hard. steel, FeZn5 c 1A

	Scale	3 : 1	Drawn	CABAO	Checked	FR	Appr.	JE	ECO	Date	2021-01-20
	Assembly Drawing 501156201								Issue	AA	Sheet

