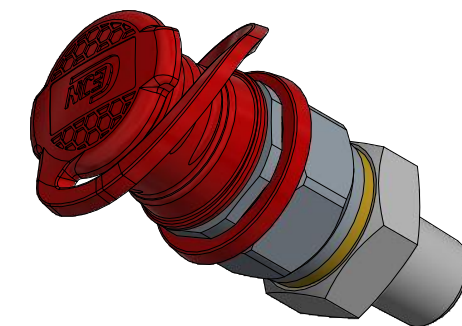
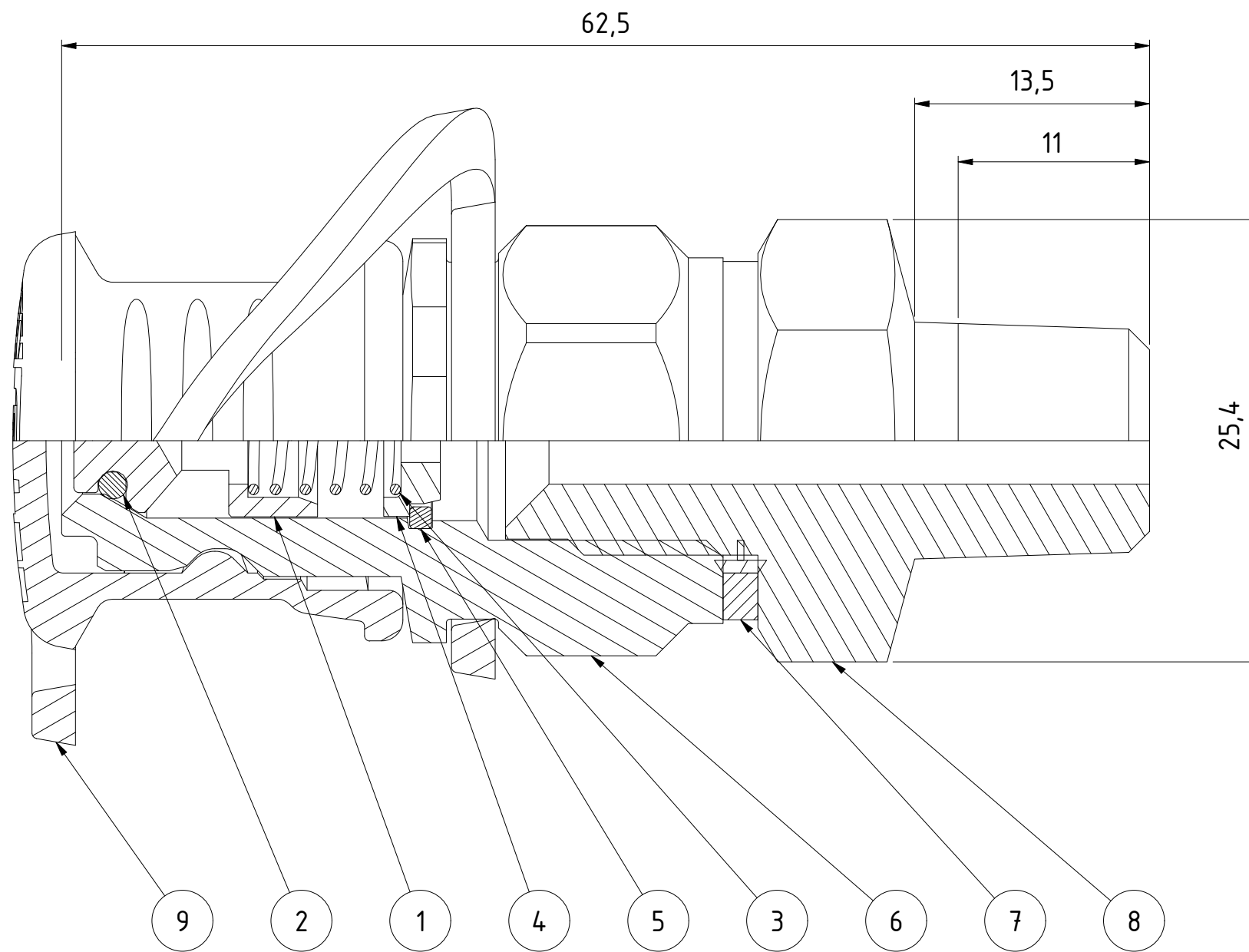


This document must not be copied, either completely or in part, without permission. Any infringement will have legal consequences ©

A3



1 : 1

Product No.	101156152
Nominal flow Ø DN:	2,5 mm
Connection Stroke:	mm
Max WP Connected:	1000 bar
Min BP Connected:	2600 bar
Temperature range:	-30°C - +100°C
Connection:	R 1/4" Male
Sealing material:	NBR
Hexagon:	22

Item	Qty	Description	Material
9	1	Dust cap	TPE
8	1	Stop for valve	Steel, FeZn5 c 1A
7	1	Tredo seal	Steel / NBR
6	1	Nipple body	Steel, FeZn5 c 1A
5	1	Lock ring	Steel
4	1	Stop for valve	Steel
3	1	Spring	Steel
2	1	O-ring	NBR
1	1	Valve	Brass

Scale	3 : 1	Drawn	CABANLA	Checked	EP	Appr.	JE	ECO	Date	2019-04-05	
								Drawing No.		Issue	Sheet
Assembly Drawing								501156152		AA	1 / (1)