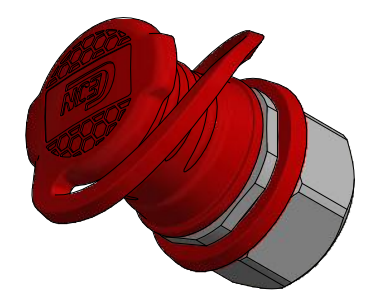
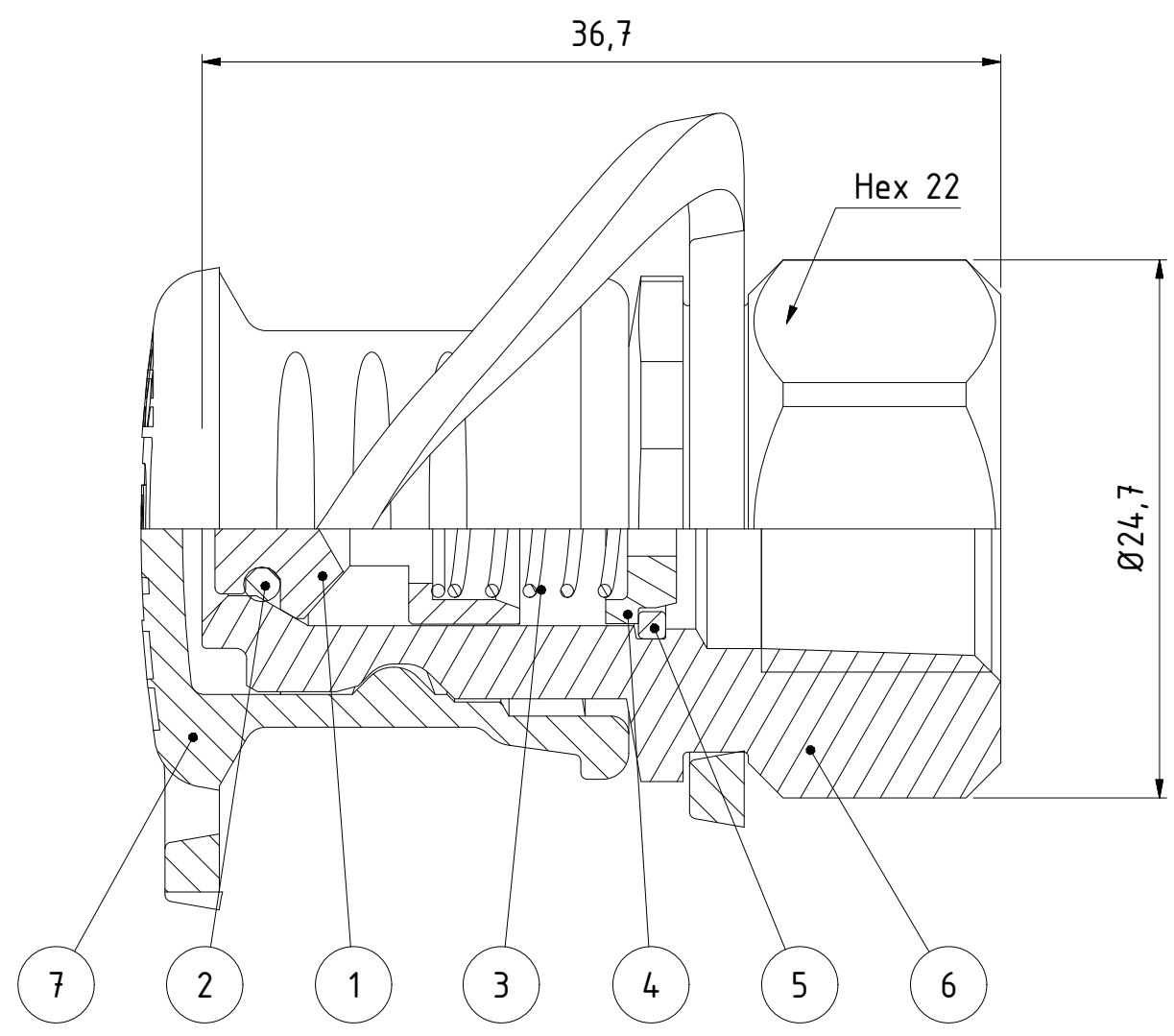



This document must not be copied, either completely or in part, without permission. Any infringement will have legal consequences ©



1 : 1

Product No. 101156102	
Nominal flow Ø DN:	2.5 mm
Connection Stroke:	mm
Max WP Connected:	1000 bar
Max WP Disconnected:	1000 bar
Min BP Connected:	2600 bar
Min BP Disconnected:	2600 bar
Temperature range:	-30°C - +100°C
Connection:	Rc 1/4" Fem
Sealing material:	NBR
Hexagon:	22

Item	Qty	Description	Material
7	1	Dust cap	TPE
6	1	Nipple body	Hard. steel, Zn 8 Silver
5	1	Lock ring	Steel
4	1	Stop for valve	Steel
3	1	Spring	Steel
2	1	O-ring	NBR
1	1	Valve	Brass

	Scale	3 : 1	Drawn	CABAO	Checked	FR	Appr.	JE	ECO	12119	Date	2018-06-19
	Assembly Drawing 501156102								Drawing No.	Issue Sheet AB 1 / (1)		

