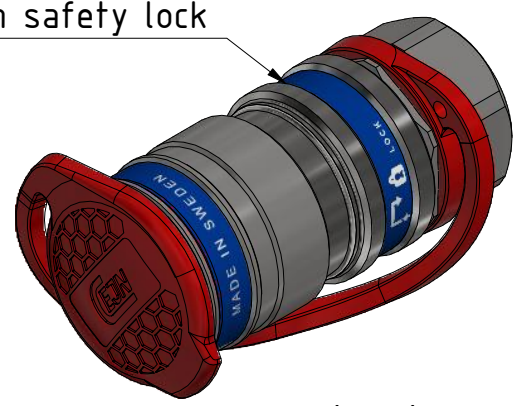
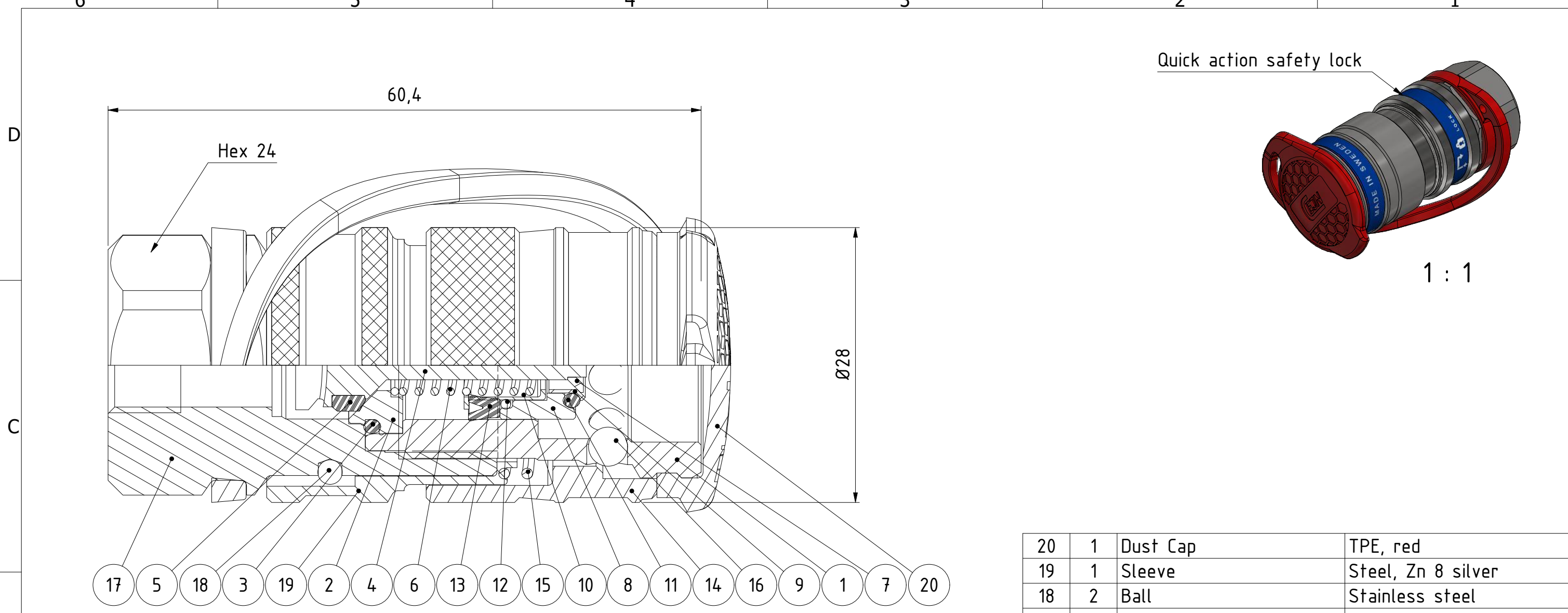


This document must not be copied, either completely or in part, without permission. Any infringement will have legal consequences ©

Quick action safety lock

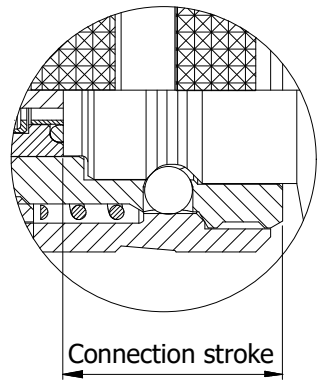


1 : 1



20	1	Dust Cap	TPE, red
19	1	Sleeve	Steel, Zn 8 silver
18	2	Ball	Stainless steel
17	1	Back part	Steel, Zn 8 silver
16	9	Ball	Stainless steel
15	1	Spring	Stainless steel
14	1	Locking sleeve	Hard. steel, Zn 8 Silver
13	1	Lip seal	NBR
12	1	O-ring	NBR
11	1	O-ring	NBR
10	1	Spring housing	Steel
9	1	O-ring sleeve	Steel
8	1	Expansion sleeve	Plastic
7	1	Washer	Steel
6	1	Spring	Steel
5	1	Seal	NBR
4	1	Valve	Steel, FeZn5
3	1	O-ring	NBR
2	1	Valve seat	Steel
1	1	Front part	Steel, Zn 8 silver
Item	Qty	Description	Material

Product No.	101151201
Nominal flow $\varnothing$ DN:	2,5 mm
Connection Stroke:	18,3 mm
Max WP Connected:	1000 bar
Max WP Disconnected:	1000 bar
Min BP Connected:	2600 bar
Min BP Disconnected:	2600 bar
Temperature range:	-30°C - +100°C
Connection:	G 1/8" female
Sealing material:	NBR
Hexagon:	24



Scale: 5:2    Drawn: CABAO    Checked: FR    Appr.: JE    ECO: 12061    Date: 2018-04-12

**CEJN**    Drawing No. 501151201    Issue: AB    Sheet: 1/(1)

