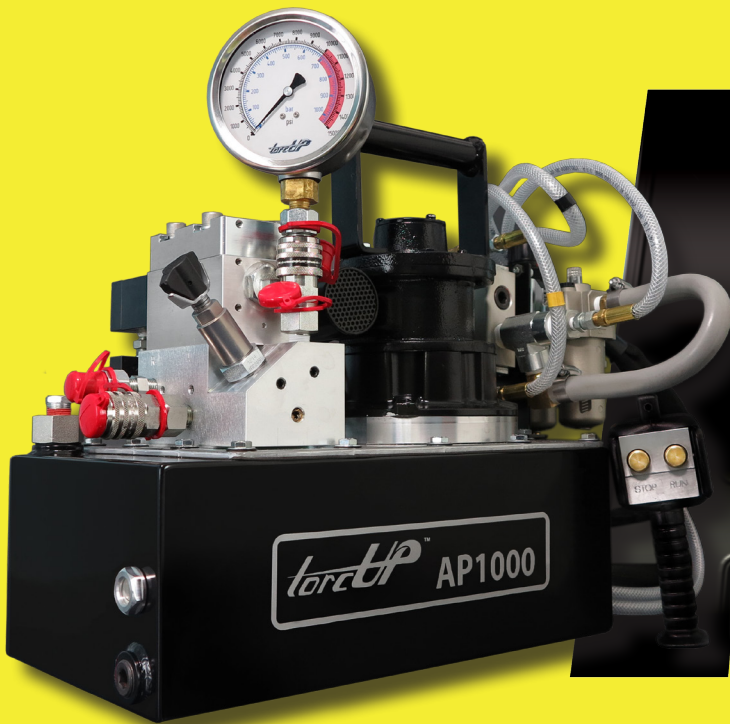
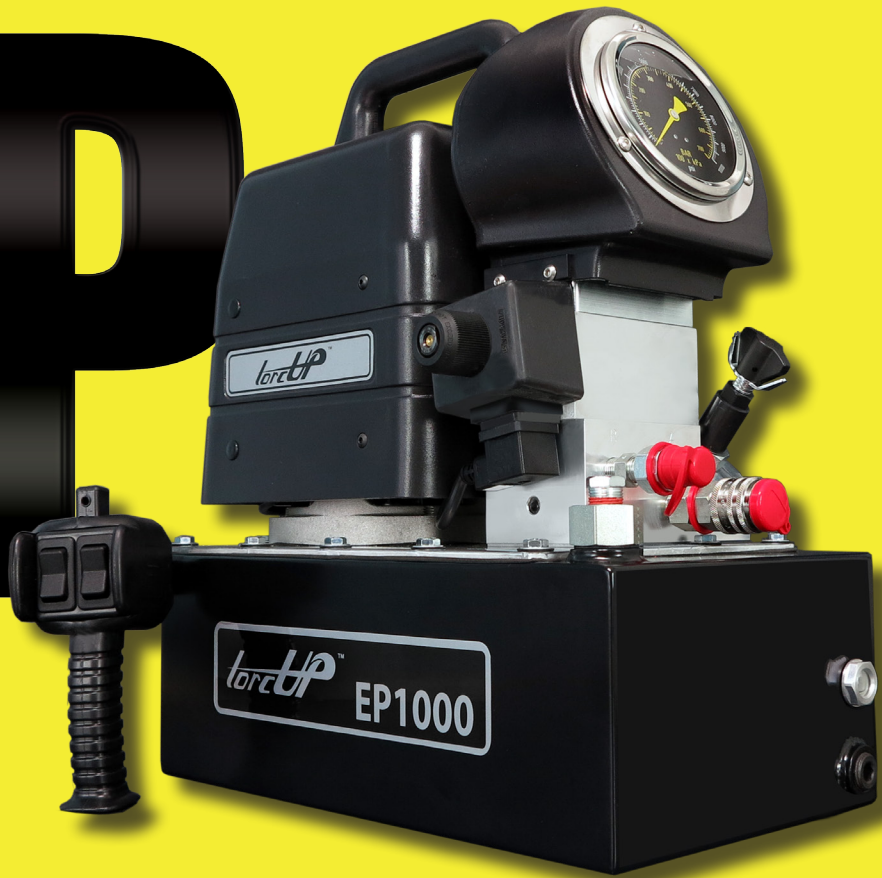


EP



AP

torcUP

**STRENGTH
UNDER PRESSURE**

EP/AP HYDRAULIC PUMPS

EP

ELECTRIC HYDRAULIC TORQUE WRENCH PUMP

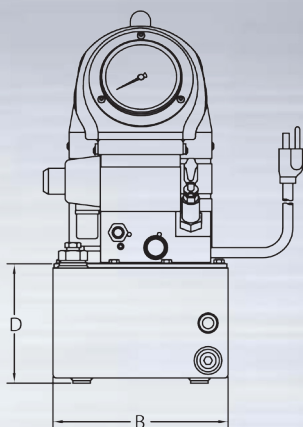
ELECTRIC PERFORMANCE

THE EP SERIES HYDRAULIC TORQUE WRENCH PUMP IS MANUFACTURED TO WITHSTAND HARSH ENVIRONMENTS AND HEAVY DUTY APPLICATIONS. ADJUST THE PRESSURE TO THE DESIRED PSI/BAR TO ACHIEVE PROPER TORQUE OUTPUT EACH AND EVERY TIME. WHETHER RUNNING ONE TOOL OR FOUR, THE EP SERIES PUMPS ARE THE POWER THAT GUARANTEES THE JOB WILL GET DONE.



All dimensions are the same for 230v models

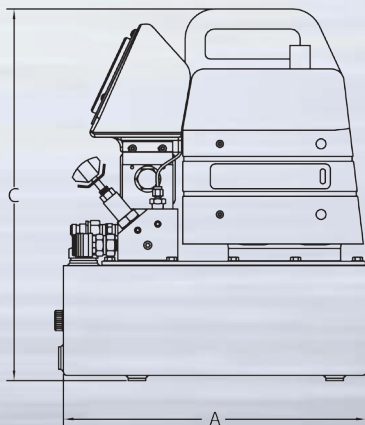
Dimensions	EP500	EP1000	EP1000-Q
A (in/mm)	13.0/330	15.0/381	17.0/432
B (in/mm)	8.2/208	8.7/221	9.7/246
C (in/mm)	19.0/483	19.0/483	19.0/483
D (in/mm)	5.7/145	5.9/150	5.9/150



Technical Data

Reservoir Capacity (gal/litre)
Valve Style
Motor Specification
Flow Rate @ 1,100psi
Flow Rate @ 10,000psi
Weight (lbs/kg)
AMPS

	EP500	EP1000	EP1000-Q
Reservoir Capacity (gal/litre)	1.0/3.8	1.5/5.7	2.5/9.5
Valve Style	Auto Retract	Auto Retract	Auto Retract
Motor Specification	1.125 HP @ 115VAC Single Phase	1.5 HP @ 115VAC Single Phase	1.5HP @ 115VAC Single Phase
Flow Rate @ 1,100psi	525 cu.in./min.	700 cu.in./min.	700 cu.in./min.
Flow Rate @ 10,000psi	48 cu.in./min.	55 cu.in./min.	55 cu.in./min.
Weight (lbs/kg)	59.0/26.8	74.0/33.6	81.0/36.7
AMPS	12-13	17-18	17-18



Technical Data

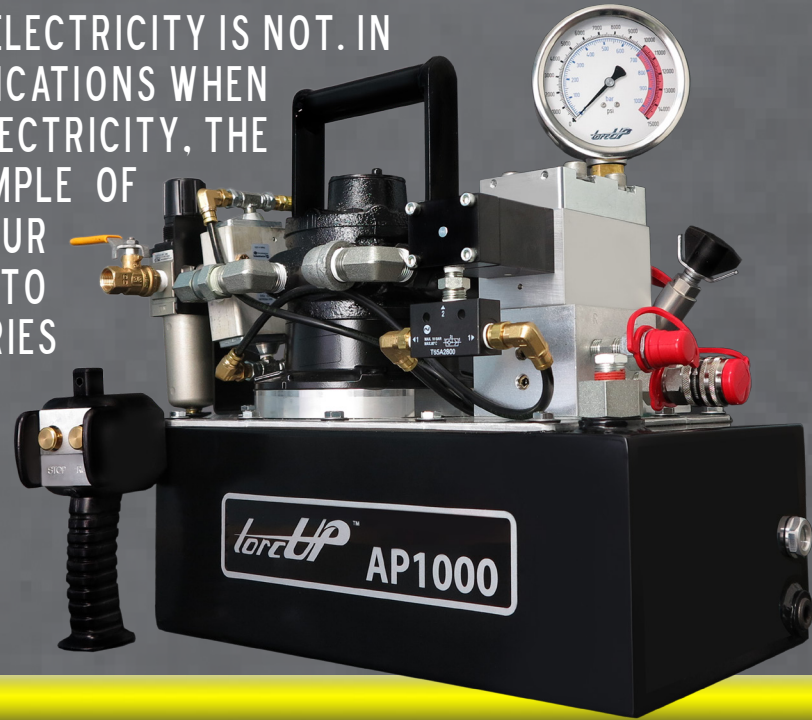
Reservoir Capacity (gal/litre)
Valve Style
Motor Specification
Flow Rate @ 75 bar
Flow Rate @ 700 bar
Weight (lbs/kg)
AMPS

	EP500-230V	EP1000-230V	EP1000-Q-230V
Reservoir Capacity (gal/litre)	1.0/3.8	1.5/5.7	2.5/9.5
Valve Style	Auto Retract	Auto Retract	Auto Retract
Motor Specification	1.125 HP @ 230VAC Single Phase	1.5 HP @ 230VAC Single Phase	1.5 HP @ 230VAC Single Phase
Flow Rate @ 75 bar	8.6 litres/min	11.5 litres/min.	11.5 litres/min.
Flow Rate @ 700 bar	.79 litres/min.	.9 litres/min.	.9 litres/min.
Weight (lbs/kg)	59.0/26.8	74.0/33.6	81.0/36.7
AMPS	12-13	17-18	17-18

AP

AIR HYDRAULIC TORQUE WRENCH PUMP PNEUMATIC PERFORMANCE

THE AP SERIES IS THERE FOR YOU WHEN ELECTRICITY IS NOT. IN EXPLOSIVE ENVIRONMENTS OR ON APPLICATIONS WHEN AIR IS MORE READILY AVAILABLE THAN ELECTRICITY, THE AP SERIES PUMPS ARE ANOTHER EXAMPLE OF TORCUP'S ATTENTION TO THE NEEDS OF OUR CUSTOMERS. CAPABLE OF RUNNING UP TO FOUR TOOLS SIMULTANEOUSLY, THE AP SERIES BRINGS SAFETY TO YOUR APPLICATION.

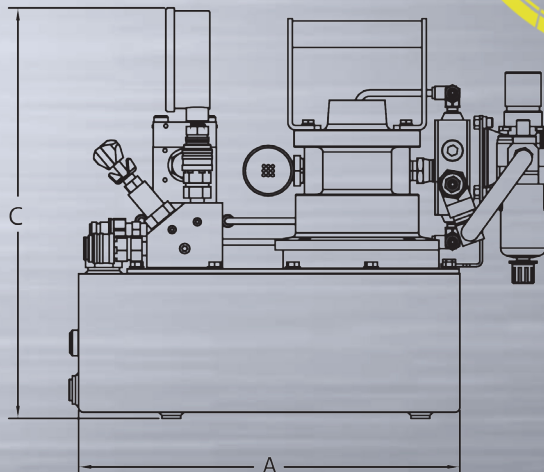
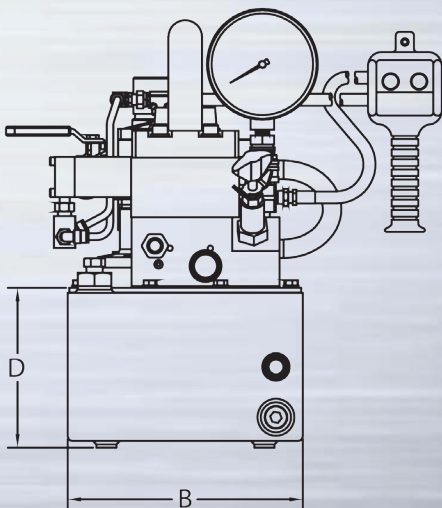


Dimensions AP1000 / AP1000-Q

A (in/mm)	15.0/381
B (in/mm)	8.7/221
C (in/mm)	16.0/406
D (in/mm)	5.9/150

Technical Data

	AP1000	AP1000-Q
Reservoir Capacity (gal/litre)	1.5 / 5.7	1.5 / 5.7
Valve Style	Auto Retract	Auto Retract
Motor Specification	4 HP @ 90 psi / 50 cfm	4 HP @ 90 psi / 50 cfm
Flow Rate	700 cu.in./min. @ 1,100psi	700 cu.in./min. @ 1,100psi
Weight (lbs/kg)	67/30.4	68/30.9



EP/AP

HYDRAULIC TORQUE
WRENCH PUMP
ACCESSORIES

ADAPT - TO THE HARSHTEST ENVIROMENTS

ADJUST - PRESSURE AS NEEDED

ANTICIPATE - JOB-SITE OBSTACLES



FOOT SWITCH



SHIPPING CASE



HEAT EXCHANGER



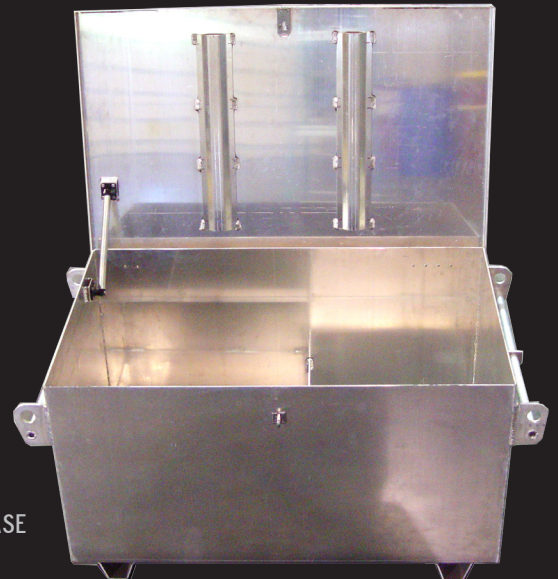
TWIN LINE
HYDRAULIC HOSE



ROLL CAGE



GAUGE



OFFSHORE
STORAGE CASE



Worldwide Headquarters

1025 Conroy Place

Easton, PA 18040 USA

TOLL FREE: 1-888-TorcUP-1

TELEPHONE: 1-610-250-5800

FAX: 1-610-250-2700

www.torcup.com



EP/AP PUMPS

Made In USA

Heavy Duty Hydraulic Torque
Wrench Pumps

Gauges Calibrated In
ISO17025 Laboratory

Manufactured With AQ
Certified Alloys

Genuine Torcup Design

MULTI-PORT
ADAPTOR KIT



Catalog 2017

TorcUP products are subject to continual development and TorcUP reserves the right to make changes to the specifications and design of their products without prior notice. All rights are reserved. Reproduction in whole or in part without permission of TorcUP Inc. is prohibited.