

TU

ACCESSORY



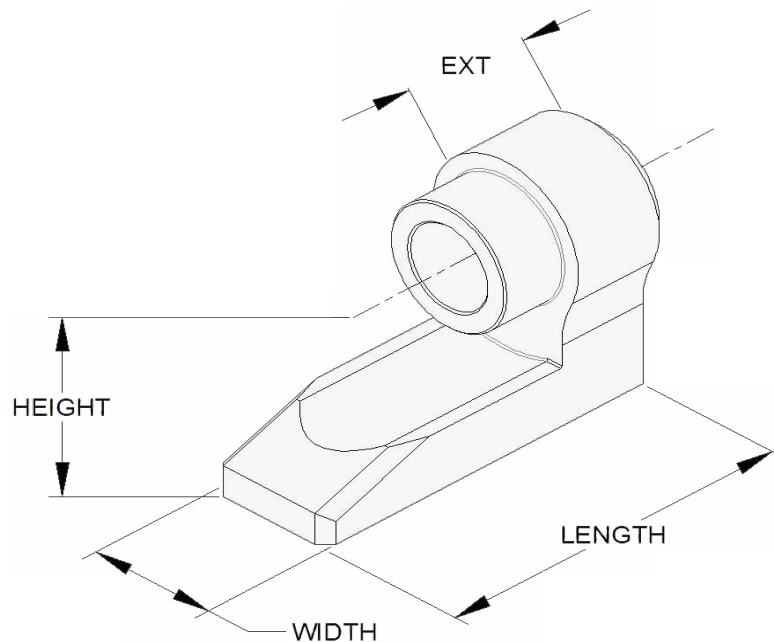
HOUSING REACTION PAD

TU Series Square Drive
Hydraulic Torque Wrench Accessory

torquaiTM

TU Series Square Drive Hydraulic Torque Wrench - Housing Reaction Pad

MODEL #	PART #	LENGTH (IN/MM)	HEIGHT (IN/MM)	WIDTH (IN/MM)	EXT (IN/MM)
TU-2	ARW-2	3.25/83	1.50/38	2.00/51	1.00/25
TU-3	ARW-3	4.47/114	2.13/54	1.50/38	1.04/26
TU-5	ARW-5	5.10/130	2.38/60	1.63/41	1.15/29
TU-7	ARW-7	6.22/158	2.88/73	2.00/51	1.63/41
TU-11	ARW-11	6.25/159	2.88/73	2.13/54	1.78/45
TU-20	N/A	N/A	N/A	N/A	N/A
TU-27	ARW-27	8.25/210	3.75/95	2.25/83	2.25/57
TU-60	N/A	N/A	N/A	N/A	N/A



TU Series - Housing Reaction Pad

The housing reaction pad provides a flat surface when reacting directly off the body of the tool.

