

**TU**

**ACCESSORY**

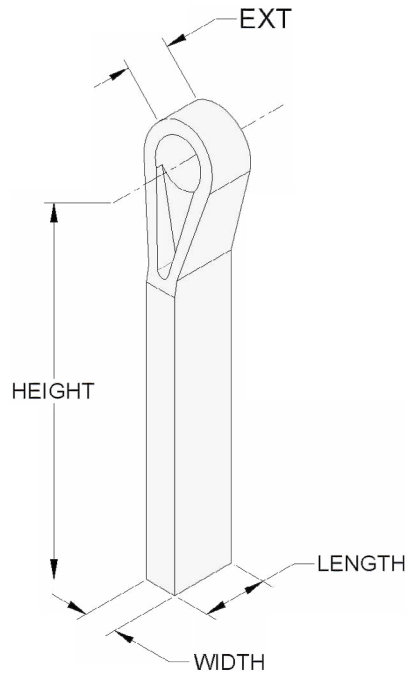


**SOLID LONG EXTENSION ARM**  
TU Series Square Drive  
Hydraulic Torque Wrench Accessory

**torquui™**

## TU Series Square Drive Hydraulic Torque Wrench - Solid Long Extension Arm

MODEL #	PART #	LENGTH (IN/MM)	HEIGHT (IN/MM)	WIDTH (IN/MM)	EXT (IN/MM)
TU-2	ATU-2-03-EXTD6	1.52/39	9.60/244	1.25/32	0.89/23
TU-3	ATU-3-03-EXTD6	2.00/51	10.50/267	1.75/44	1.19/30
TU-5	ATU-5-03-EXTD6	2.75/70	11.38/289	1.50/38	1.14/29
TU-7	ATU-7-03-EXTD6	2.74/70	12.17/309	2.13/54	1.61/41
TU-11	ATU-11-03-EXTD6	3.00/76	12.75/324	3.56/90	1.75/44
TU-20	ATU-20-03-EXTD6	4.16/106	14.45/367	3.37/86	1.47/37
TU-27	N/A	N/A	N/A	N/A	N/A
TU-60	N/A	N/A	N/A	N/A	N/A



### TU Series - Solid Long Extension Arm

This solid reaction arm is 6" longer than the standard reaction arm of each tool, allowing for a further reaction point. Can be easily cut down to accommodate shorter lengths.

