

TXU Serisi Kasetli Hidrolik Tork Anahtarları

TXU Series Low Clearance Hydraulic Torque Wrenches



TXU Series

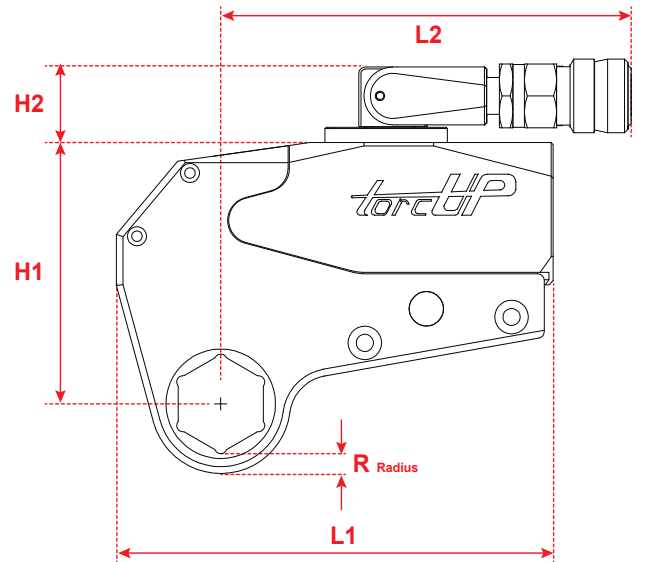
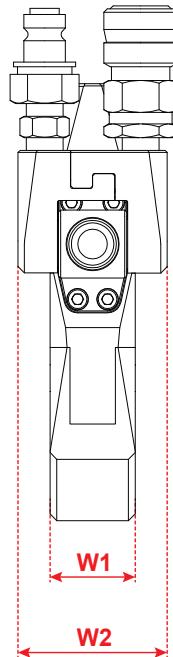
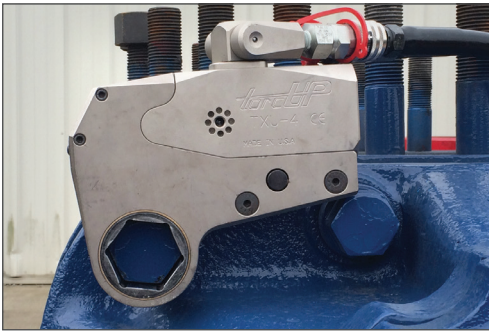


torcUP



- › $\pm 3\%$ yüksek hassasiyetli torklama imkanı
 - › Her cihaz ISO17025 standartına göre kalibre edilir
 - › 22.500 N.m'ye kadar hidrolik tork kuvveti
 - › Havacılıkta kullanılan çelik alaşımlı malzeme
 - › $360^\circ \times 180^\circ$ çok yönlü döner yağ giriş bağlantısı
 - › 19- 135 mm aralığında kaset seçeneği
 - › Her somuna uygun kaset ölçü düşürücü burç
 - › Kaset için kare ve alyan adaptör seçenekleri
 - › Sıkma ve sökme yönünde kullanıma uygun
 - › Türkiye'de servis, yedek parça ve kalibrasyon desteği
-
- › $\pm 3\%$ high precision torque operation
 - › Every unit calibrated in ISO17025 laboratory
 - › Hydraulic torque capacity up to 22.500 N.m.
 - › 4340 Aircraft Quality high strength steel alloy
 - › $360^\circ \times 180^\circ$ uni-swivel, no drip quick connect couplers
 - › Hexagon cassettes from 19 to 135 mm
 - › Various cassettes and reducers are available
 - › Easy replaceable square and hexagon drive adapters
 - › Designed to tighten and loosen nuts
 - › Maintenance, spare parts and calibration service

Parça Part	Tork Gücü (N.m) Torque Range		Anahtar Ölçü Aralığı Hex. Size Range		Ağırlık (kg) Weight (Piston-Cassette)		Ölçüler (mm) Dimensions						
	Min.	Max.	mm	inch	Piston	Kaset	L1	L2	W1	W2	R	H1	H2
TXU-2	260	2.614	19 - 65	3/4" - 2.9/16"	1,8	1 - 1,5	163,8	152,4	31,8	55,6	9,6 - 15	86,3	28,2
TXU-4	535	5.355	27 - 80	1" - 3.1/8"	3,1	2,4 - 3,4	199,9	167,1	41,4	57,4	10,5 - 18,7	125,2	33
TXU-8	1.125	11.699	49 - 120	1.7/8" - 4.5/8"	5,7	5,5 - 6,5	258,6	186,4	52,1	57,4	14,2 - 21	157	33
TXU-16	2.115	22.503	55 - 135	2.3/16" - 5.5/16"	7,3	9,5 - 13,0	328,4	208,2	63,5	57,4	17,1 - 25,9	192,5	33



TXU Serisi Hidrolik Tork Anahtarı Kasetleri

TXU Series Hydraulic Torque Wrench Cassettes



TXU Series



torque

TXU-2 Kasetler Links	Altıgen Ölçü Hex. Size
No.	mm
TX-2RL012M19	19
TX-2RL014M22	22
TX-2RL24M	24
TX-2RL101M27	27
TX-2RL103M30	30
TX-XRL32M	32
TX-2RL106M35	35
TX-XRL36	36
TX-2RL108M38	38
TX-2RL110M41	41
TX-2RL113M46	46
TX-2RL115M49	49
TX-2RL50M	50
TX-2RL203M55	55
TX-2RL206M60	60
TX-2RL209M65	65

TXU-4 Kasetler Links	Altıgen Ölçü Hex. Size
No.	mm
TX-4RL101M27	27
TX-4RL103M30	30
TX-4RL32	32
TX-4RL36M	36
TX-4RL108M38	38
TX-4RL110	41
TX-4RL113	46
TX-4RL115M49	49
TX-4RL50M	50
TX-4RL203M55	55
TX-4RL206M60	60
TX-4RL209M65	65
TX-4RL212M70	70
TX-4RL215M75	75
TX-4RL302M80	80

TXU-8 Kasetler Links	Altıgen Ölçü Hex. Size
No.	mm
TX-8RL115M49	49
TX-8RL50M	50
TX-8RL203M55	55
TX-8RL206M60	60
TX-8RL209M65	65
TX-8RL212M70	70
TX-8RL215M75	75
TX-8RL302M80	80
TX-8RL85M	85
TX-8RL90M	90
TX-8RL312M95	95
TX-8RL315M100	100
TX-8RL402M105	105
TX-8RL110M	110
TX-8RL115M	115
TX-8RL120M	120

TXU-16 Kasetler Links	Altıgen Ölçü Hex. Size
No.	mm
TX-16RL203M55	55
TX-16RL206M60	60
TX-16RL209M65	65
TX-16RL212M70	70
TX-16RL215M75	75
TX-16RL302M80	80
TX-16RL85M	85
TX-16RL90M	90
TX-16RL312M95	95
TX-16RL315M100	100
TX-16RL402M105	105
TX-16RL110M	110
TX-16RL115M	115
TX-16RL120M	120
TX-16RL125M	125
TX-16RL502M130	130
TX-16RL505M135	135

