

HYDRAULIC PULLERS

MODEL:PM SERIES

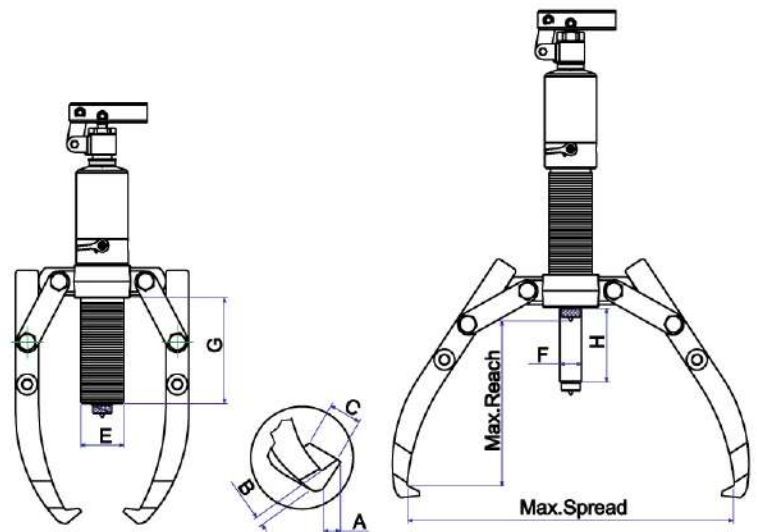


FEATURES

- Exchangeable 2 or 3 arm combination puller is very practical and economical.
- 360° Rotary Socket.
- Self-contained hydraulic pump and puller body with integral safety valve.
- Spring loaded live centering nut for easy job (removable).
- Four stages of foldable & removable handle saves the handle force during operation.
- Patented design of two stages stroking for PM2000 & PM3000, the first stage being as fast stroking for quickly connecting with object, and the second stage being as high hydraulic output for pulling job.
- The extension bars can be used where necessary for extra reach.



Optional longer Jaw
 Part No.C0948 for PM400
 Part No.C0949 for PM600
 Part No.C0950 for PM800
 Part No.C0951 for PM1200
 Part No.C0960 for PM2000
 Part No.C0961 for PM3000



SPECIFICATIONS

Capacity	Model No.	Reach (Max. mm)	Spread (Max. mm)	Stroke (mm)	Pump Tip (mm)				Jaw Tip (mm)			Weight (kg)
					H	E	F	G	A	B	C	
4 Ton	PM400	185	255	60	42	22	84	11	6	22	4.5	
6 Ton	PM600	220	330	70	45	23	94	13	10	22	5.5	
8 Ton	PM800	230	350	85	50	25	122	11	10	25	6.5	
12 Ton	PM1200	270	375	85	60	28	118	14	10	29	8.0	
20 Ton	PM2000	360	520	111	80	40	160	20	27	33	22	
30 Ton	PM3000	360	550	111	98	50	155	20	27	38	32	