

**TU****ACCESSORY****DIRECT HEX DRIVE ADAPTOR**

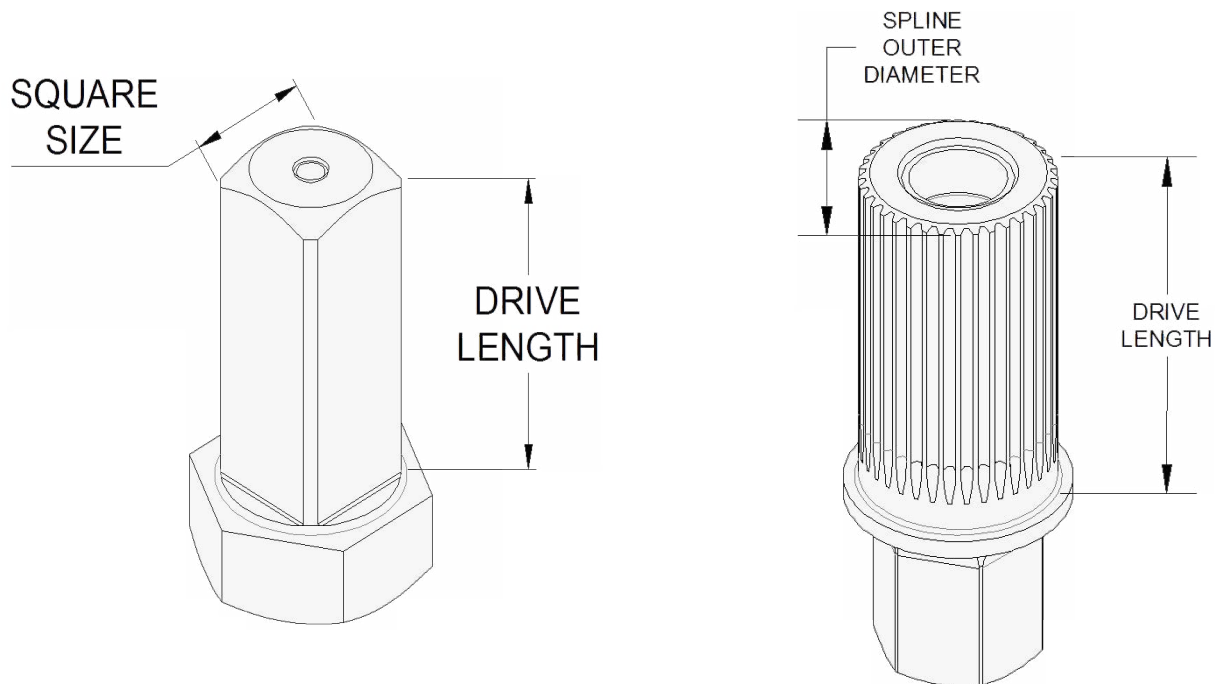
TU Series Square Drive  
Hydraulic Torque Wrench Accessory

**torquair™**

## TU Series Square Drive Hydraulic Torque Wrench - Direct Hex Drive Adaptor

MODEL #	PART #	TYPE	DRIVE LENGTH (IN/MM)	SQUARE SIZE (IN/MM)	SPLINE OD (IN/MM)
TU-2	ATU-2-11-XXX	SQUARE	2.10/53.3	0.75/19.1	N/A
TU-3	ATU-3-11-XXX	SQUARE	2.70/68.6	1.00/25.4	N/A
TU-5	ATU-5-11-XXX	SPLINE	2.86/72.6	N/A	1.54/39.1
TU-7	ATU-7-11-XXX	SQUARE	3.67/93.2	1.50/38.1	N/A
TU-11	ATU-11-11-XXX	SQUARE	4.01/101.9	1.50/38.1	N/A
TU-20	ATU-20-11-XXX	SPLINE	4.59/116.6	N/A	2.33/59.2
TU-27	ATU-27-11-XXX	SPLINE	5.09/129.3	N/A	2.58/65.5
TU-60	ATU-60-11-XXX	SPLINE	6.26/159.0	N/A	3.25/82.6

Note: Any standard or metric hex size can be accommodated with the direct hex drives.



### TU Series - Direct Hex Drive Adaptor

Replace the square drive of your TU tool with this hex drive adaptor to drive socket head cap screws.

